



16574048

Edition 1

May 2006

Air Grinder and Die Grinder

HD, HX and HXD Series, Horizontal

Parts Information

PRO ▶
TECH

Professional Technologies Sweden AB

Munkerödsvägen 3

444 32 STENUNGSUND

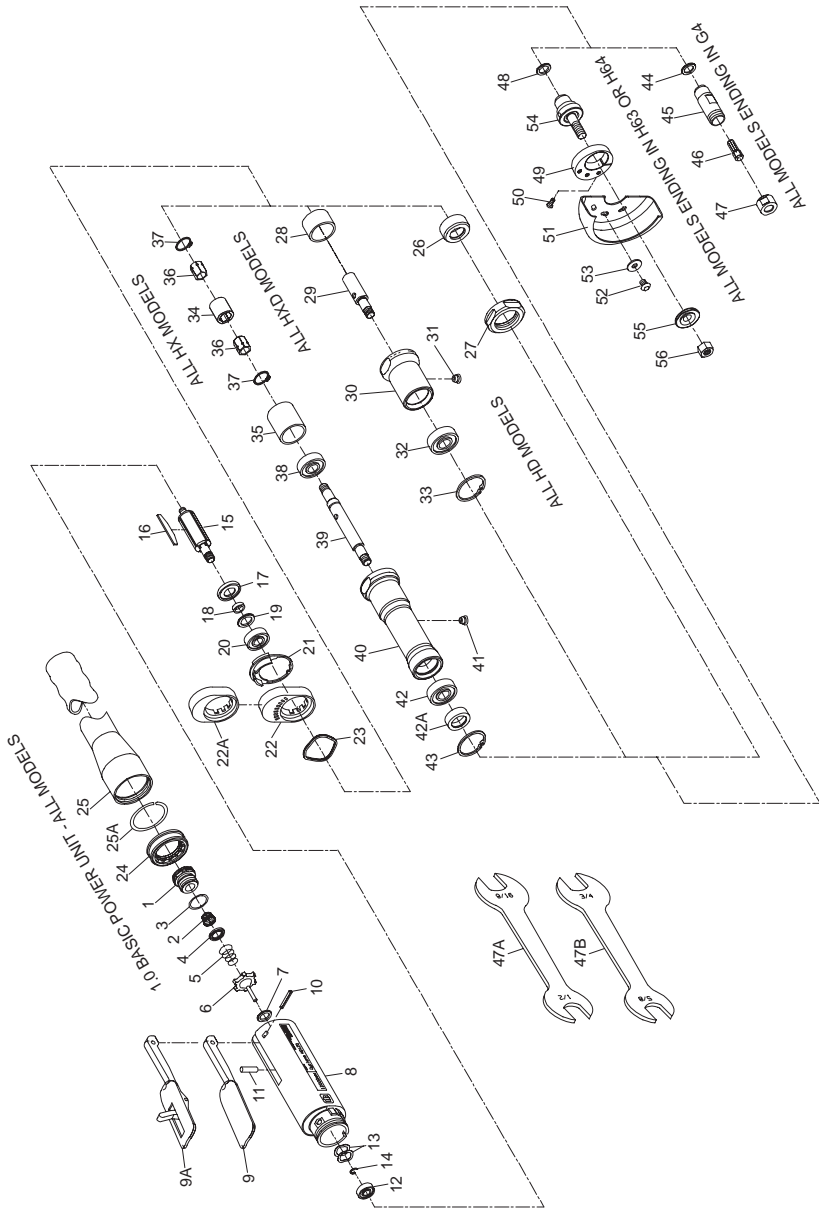
Tel 0303-89 135 - www.protech.nu



Save These Instructions

 **Ingersoll Rand**

HD, HX and HXD Grinder and Die Grinder Exploded Diagram



(Dwg. TPA1296-2)

HD, HX and HXD Grinder and Die Grinder Parts List

Item	Part Description	Part Number	Item	Part Description	Part Number
	Common parts for ALL HD, HX and HXD Grinders		*	Warning Label	
				for models ending in H63 -EU	EU-63-99
1	Inlet Assembly	LG2-A465		for models ending in H64 -EU	EU-64-99
2	Inlet Screen	R1602-61		for all other models ending in -EU	EU-99
* 3	Inlet Seal	R18LF-21		for all other models	LG2-99
4	Throttle Valve Spring Seat	LG3-592	*	Nameplate	
5	Throttle Valve Spring	7L-51		for HD120 models ending in -EU	LG312-EU-301
6	Throttle Valve	LG3-302		for all other HD120 models	LG312-301
* 7	Throttle Valve Seat	LG3-303		for HD150 models ending in -EU	LG315-EU-301
8	Motor Housing	LG3-40		for all other HD150 models	LG315-301
9	Throttle Lever	LG2-273		for HD180 models ending in -EU	LG318-EU-301
9A	Locking Throttle Lever Assembly (for all models ending in L or C)	LG2-A400		for all other HD180 models	LG318-301
				for HX120 models ending in -EU	LE312-EU-301
*	Lever Lock	LG1-402		for all other HX120 models	LE312-301
*	Lock Spring	LG1-405		for HX150 models ending in -EU	LE315-EU-301
*	Lock Pin	5UT-757		for all other HX150 models	LE315-301
10	Throttle Lever Pin	61H-120		for HX180 models ending in -EU	LE318-EU-301
11	Throttle Valve Plunger	LG2-191		for all other HX180 models	LE318-301
12	Rear Rotor Bearing	R120-127		for HXD180 models ending in -EU	LE318-EU-301
* 13	Rear Rotor Bearing Spacer (2)	400-25-191		for all other HXD180 models	LED318-301
* 14	Rear Rotor Bearing Retainer	LG1-118		Additional parts for all HD models	
15	Rotor	LG3-53-4	26	Clamp Spacer	LG2-46
* 16	Vane Packet (set of 4 Vanes)	DG31-42-4	27	Clamp Nut	LG2-27
17	Front End Plate	LG2-11		Additional parts for all extended HXD models	
18	Front End Plate Spacer	LG2-65			
* 19	Front Seal Cup Assembly	61H-A32	28	Clamp Sleeve	LE2-176
20	Front Rotor Bearing	LG2-24	29	Arbor	LE2-4
21	Flow Ring		30	Arbor Housing	LE2-20
	for HD120 and HX120 (12000 rpm) (grey)	LG2-103-0	31	Arbor Housing Plug	EG220-92
	for HD150 and HX150 (15000 rpm) (brown)	LG2-103-1	32	Front Arbor Bearing	WFS182-22
	for HD180, HX180 and HXD180 (18000 rpm) (blue)	LG3-103-3	33	Arbor Bearing Retaining Ring	W22-118
				Additional parts for all HX models	
			34	Arbor Coupling	LE2-304
			35	Clamp Sleeve	LE2-276
22	High Profile Flange	LG2-23	36	Arbor Bearing Nut (2)	LE2-85
# 22A	Concentric Flange	LG3R-23	37	Coupling Retaining Ring (2)	RX3-729
23	Flange Clamp	LG2-29	38	Rear Arbor Bearing	LE2-22
+	Exhaust Hose Adapter Kit	LG2-K284	39	Arbor	LE2-4-5
+ 24	Exhaust Hose Adapter	LG2-184	40	Arbor Housing	LE2-20-5
+ 25	Exhaust Hose	3RL-284	41	Arbor Housing Plug	EG220-92
+ 25A	Exhaust Hose Retainer	6WT-203	42	Front Arbor Bearing	WFS182-22

* Not illustrated.

• To keep downtime to a minimum, it is desirable to have on hand certain repair parts. We recommend that you stock one (pair or set) of each part indicated by a bullet (•) for every four tools in service.

+ Standard equipment with all models ending in **M, MC or ML** and **ALL** Front Exhaust models; optional equipment on all other models.



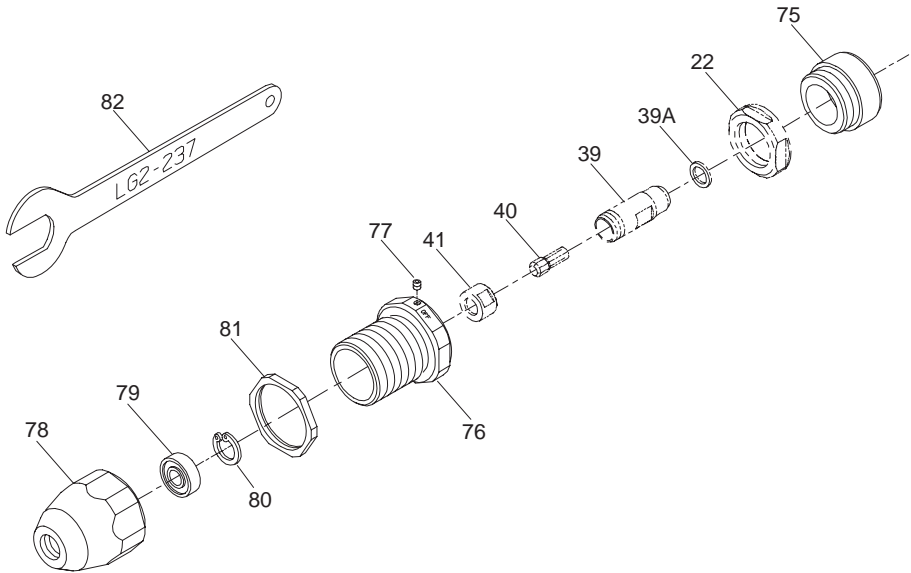
Always install a Locking Throttle Lever Assembly (9A) on a tool with a Low Profile Concentric Flange (22A). Do not equip a tool with a standard non-locking Lever (9) and low profile concentric Flange. This can allow the tool to continue to run if dropped or set down.

HD, HX and HXD Grinder and Die Grinder Parts List

Item	Part Description	Part Number	Item	Part Description	Part Number
42A	Arbor Bearing Shield for models ending in G4)	LE2-200	52	Wheel Guard Mounting Screw (3)	LE2-667
			53	Mounting Screw Washer (3)	L01-67
43	Arbor Bearing Retaining Ring	W22-118	54	Straight Wheel Adapter	
	Parts common to all models ending in G4			for 3" diameter x 1/2 wide maximum Type 1 wheels	LE2-4-H63
44	Front Seal Cup Assembly	61H-A32		for 4" diameter x 1/4 wide maximum Type 1 wheels	LE3-4-H64
45	Collet Body	LG2-290			
46	Collet		55	Wheel Flange	
	for models ending in -EU	G160HD-700-6mm		for 3" diameter x 1/2 wide maximum Type 1 wheels	DEG31-16
	for all other models	G160HD-700-1/4			
47	Collet Nut Assembly	DG120-699A		for 4" diameter x 1/4 wide maximum Type 1 wheels	LE3-16
47A	Collet Body Wrench	DG10-69			
47B	Collet Nut Wrench	DG120-69	56	Flange Nut	23-697
	Parts common to all models ending in H63 or H64			Accessories	
48	Front Seal Cup Assembly	61H-A32	*	Bearing Inserting Tool (for HX and HXD models) (2 pieces)	LE2-950
49	Guard Adapter Assembly	LE2-A710			
50	Guard Adapter Screw	231-638			
51	Wheel Guard				
	for 3" diameter x 1/2 wide maximum Type 1 wheels	LE2-931			
	for 4" diameter x 1/4 wide maximum Type 1 wheels	LE2-941			

* Not illustrated.

HD, HX and HXD Router Attachment Assembly Exploded Diagram



(Dwg. TPC542)

HD, HX and HXD Router Attachment Assembly Parts List

Item	Part Description	Part Number
	Router Attachment Assembly	
	for models using 1/4" diameter bits	TD-RK4
	for models using 3/8" diameter bits	TD-RK6
75	Clamp Spacer	LG2-19
76	Nosepiece Adapter	LG2-124
77	Adapter Lock Screw	0E9-561
78	Nosepiece Assembly	
	for models using 1/4" collet	LG2-A125-1
	for models using 3/8" collet	LG2-A125-3
79	Nosepiece Bearing	
	for LG2-A125-1	TD200-127
	for LG2-A125-3	G160-22
80	Bearing Retaining Ring	
	for LG2-A125-1	RXA21-343
	for LG2-A125-3	3RL-28
81	Lock Nut	R120-126
82	Lock Nut Wrench	LG2-237

Parts and Maintenance

When the life of the tool has expired, it is recommended that the tool be disassembled, degreased and parts be separated by material so that they can be recycled.

Tool repair and maintenance should only be carried out by an authorized Service Center.
Refer all communications to the nearest **Ingersoll Rand** Office or Distributor.

Related Documentation

For additional information refer to:
Air Grinder Product Safety Information Manual 04584959 and 04580288.
Air Grinder Product Information Manual 16576266 and 16576241.
Air Grinder Maintenance Information Manual 16575094.

Manuals can be downloaded from www.irtools.com.

www.irtools.com

© 2006 Ingersoll Rand Company

