



04581229  
Edition 2  
March 2006

# Air Grinders and Air Die Grinders

## G2 Series (Horizontal)

---

## Parts Information

**PRO** ▶  
**TECH**

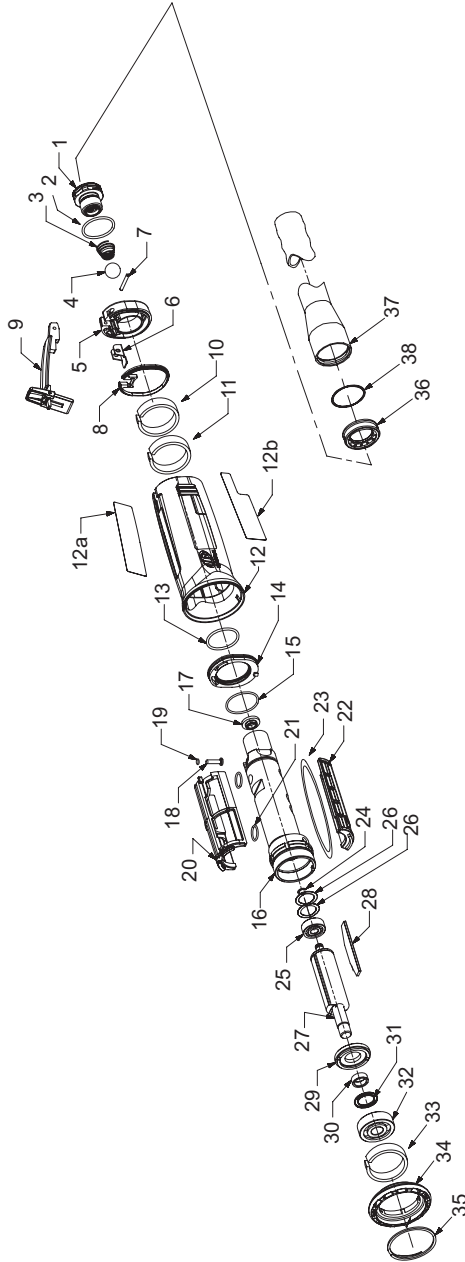
Professional Technologies Sweden AB  
Munkerödsvägen 3  
444 32 STENUNGSUND  
Tel 0303-89 135 - [www.protech.nu](http://www.protech.nu)



Save These Instructions

 **Ingersoll Rand**

G2 Series (Horizontal) Air Grinder and Air Die Grinder Exploded Diagram - Body



(Dwg. 16574394)

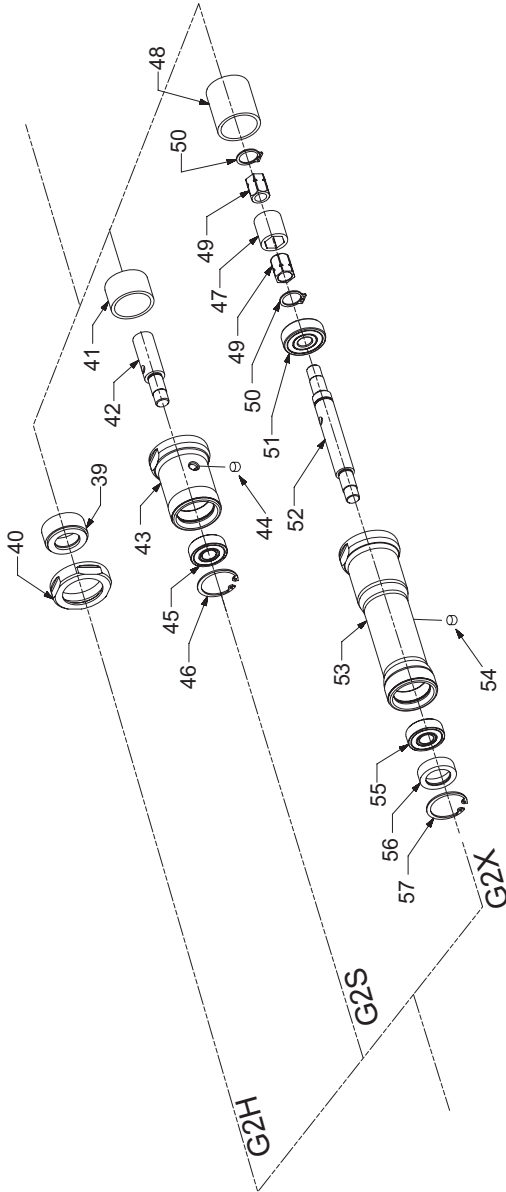
## G2 Series (Horizontal) Air Grinder and Air Die Grinder Parts List - Body

Item #	Part Description	Part Number	Item	Part Description	Part Number
	<b>Common parts for ALL G2H, G2X, &amp; G2S Grinders</b>				
1	<b>Inlet Assembly</b>	<b>AG2-A465</b>	<b>20</b>	<b>Flow Guide Assemblies</b>	
*	Inlet Screen	R1602-61	21	Flow Guide O-Ring (2)	
2	Inlet Seal	85H-167		(with each Flow Guide Assembly)	16570798
*	Ball Valve Spring Seat	AG2-592	*	Flow Guide Assembly, for 250	AG2-A200-1
3	Ball Valve Spring	38966	*	Flow Guide Assembly, for 220	AG2-A200-2
4	Ball	D10-280	*	Flow Guide Assembly, for 200	AG2-A200-3
5	Rear Exhaust Diffuser	AG2-123	*	Flow Guide Assembly, for 180	AG2-A200-4
6	Lever Support	LG2-89	22	Intake Cover Assembly	AG2-A144
7	Throttle Lever Pin	61H-120	23	Intake Cover O-Ring	16570780
8	Rear Exhaust Diffuser Gasket	AG2-223	24	Rear Rotor Bearing Retainer	LG1-118
9	Lever Assembly	AG2-A400	25	Rear Rotor Bearing	R120-127
*	Lever	---	26	Rear Rotor Bearing Spacer (2)	400-25-191
*	Lock Spring	---	27	Rotor	AG2-53-4A
*	Lock Pin	---	28	Vane Pack	AG2-42-4
*	Lever Lock	---	29	Front End Plate	LG2-11
10	Rear Exhaust Diffuser Muffler	AG2-311B	30	Front End Plate Spacer	LG2-65
11	Rear Housing Muffler	AG2-311A	31	Seal Assembly	61H-A32
12	Motor Housing Assembly	AG2-A40	32	Front Rotor Bearing	LG2-24
12a	Warning Label	AG2-99	33	Front Muffler	AG2-311F1
12b	Model Label		34	Front Housing Cap	AG2-202
	for Models ending in PP63, PP74, PP945, PP95, PP96, H63, H64, S10, G4, G4M	AG2-301	35	Flange Clamp	LG2-29
	for Models ending in RP63, RP64, FP64, RP1045, RP105, RP106	AG2-301NA	*	Exhaust Hose Adapter Kit	LG2-K284
			36	Adapter	LG2-184
13	Rear Cylinder O-Ring	16570756	37	Hose	3RL-284
14	Exhaust Seal	AG2-318	38	Retainer	6WT-203
15	Front Cylinder O-Ring	16570772	†	Tune Up Kit, Includes Part Number (2, 3, 4, 8, 10, 11, 13, 14, 15, 18, 21, 24, 25, 26, 28, 31, 32, 33, & 35)	AG2-TK1
16	Cylinder Assembly	AG2-A3			
*	Throttle Bushing	---	†	Muffler Kit, Includes Part Number (10, 11, & 33)	AG2-MK311
17	Ball Valve Seat	AG2-303S			
18	Throttle Pin Assembly	AG2-A161	†	Rotor Kit, Includes Part Number (24, 25, 26, 27, 28, 29, 30, 31 & 32)	AG2-A53-4A
19	Throttle Pin O-Ring	16570806			

\* Not illustrated.

† To keep downtime to a minimum, it is desirable to stock one of each of these service kits for every four tools in service.

G2 Series (Horizontal) Air Grinder and Air Die Grinder Exploded Diagram - Middle

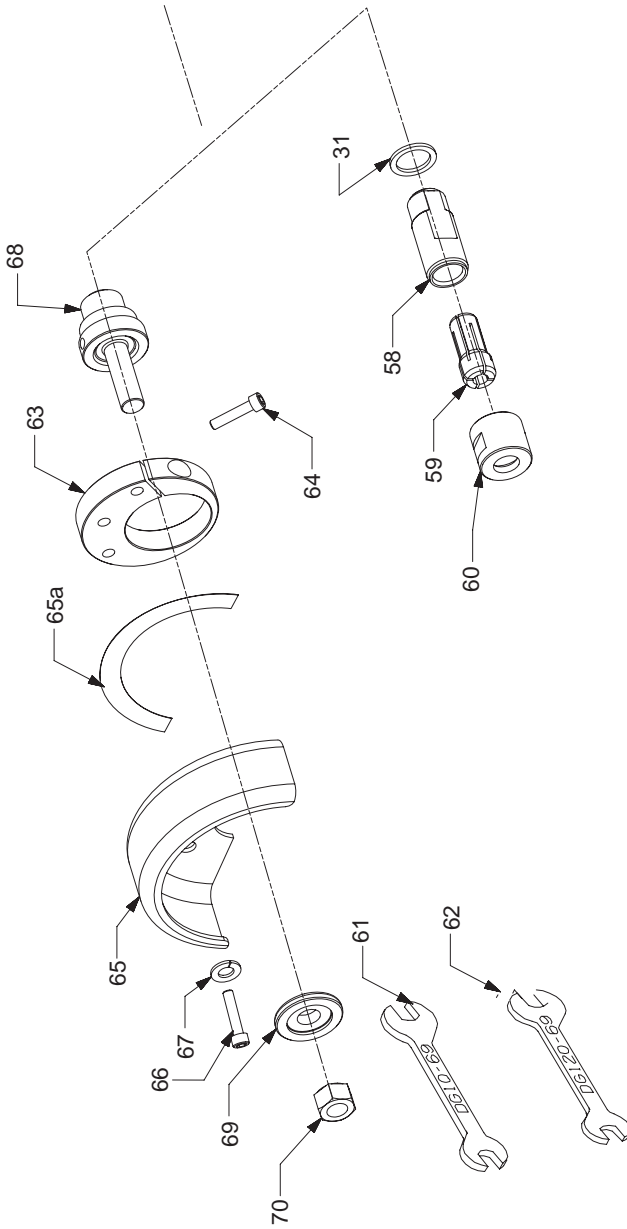


(Dwg. 16574402)

## G2 Series (*Horizontal*) Air Grinder and Air Die Grinder Parts List - Middle

Item	Part Description	Part Number	Item	Part Description	Part Number
	<b>Additional parts for all G2H models</b>		51	Rear Arbor Bearing	LE2-22
39	Clamp Spacer	LG2-46	52	Arbor	
40	Clamp Nut	LG2-27		for all G2X models	LE2-4-5
	<b>Additional parts for all G2S models</b>			for all G2XX models	LE2-4-SSL
41	Clamp Sleeve	LE2-176	53	Arbor Housing	
42	Arbor	LE2-4		for all G2X models	LE2-20-5
43	Arbor Housing	LE2-20		for all G2XX models	LE2-20-SSL
44	Arbor Housing Plug	EG220-92	54	Arbor Housing Plug	EG220-92
45	Front Arbor Bearing	WFS182-22	55	Front Arbor Bearing	WFS182-22
46	Arbor Bearing Retaining Ring	W22-118	56	Arbor Bearing Shield	
	<b>Additional parts for all G2X models</b>			(for models ending in G4)	LE2-200
47	Arbor Coupling	LE2-304	57	Arbor Bearing Retaining Ring	
48	Clamp Sleeve	LE2-276		for all G2X models	W22-118
49	Arbor Bearing Nut (2)	LE2-85		for all G2XX models (2)	W22-118
50	Coupling Retaining Ring (2)	RX3-729			

G2 Series (Horizontal) Air Grinder and Air Die Grinder Exploded Diagram - End



(Dwg. 16574410)

## G2 Series (Horizontal) Air Grinder and Air Die Grinder Parts List - End

Item	Part Description	Part Number	Item	Part Description	Part Number
	<b>Additional parts for all models ending in G4</b>		66	Guard Mounting Screw (3)	LE2-667
58	Collet Body	LG2-290	67	Mounting Screw Washer (3)	L01-67-10
59	Collet		68	Straight Wheel Adapter	
	for models ending in -G4M	G160HD-700-6mm		for 3" diameter x 1/2 wide maximum Type 1 wheels	LE2-4-H63
	for models ending in -G4	G160HD-700-1/4			
60	Collet Nut Assembly	DG120-699A		for 4" diameter x 1/4 wide maximum Type 1 wheels	LE3-4-H64
61	Collet Body Wrench	DG10-69			
62	Collet Nut Wrench	DG120-69	69	Wheel Flange	
	<b>Additional parts for all models ending in H63 or H64</b>			for 3" diameter x 1/2 wide maximum Type 1 wheels	DEG31-16
63	Guard Adapter Assembly	LE2-A710			
64	Guard Adapter Screw	231-638-10		for 4" diameter x 1/4 wide maximum Type 1 wheels	LE3-16
*	Wheel Guard Assembly				
65	for 3" diameter x 1/2 wide maximum Type 1 wheels	LE2-A931	70	Flange Nut	23-697
	Wheel Guard	LE2-931			
	for 4" diameter x 1/4 wide maximum Type 1 wheels	LE2-A941			
	Wheel Guard	LE2-941			
65a	Warning Label	AG2-99G			

### Parts and Maintenance

When the life of the tool has expired, it is recommended that the tool be disassembled, degreased and parts be separated by material so that they can be recycled.

Tool repair and maintenance should only be carried out by an authorized Service Center.

Refer all communications to the nearest **Ingersoll Rand** Office or Distributor.

### Related Documentation

For additional information refer to:

Air Grinder Product Safety Information Manual 04584959.

Air Die Grinder Product Safety Information 04580288.

Air Grinder Product Information Manual 04581211 and 04581799.

Air Die Grinder Product Information 04581203.

Manuals can be downloaded from [www.irttools.com](http://www.irttools.com).

**[www.irtools.com](http://www.irtools.com)**

© 2006 *Ingersoll Rand Company*

