



16574022
Edition 2
June 2006

Air Grinder and Die Grinders CD and CX Series, Horizontal

Parts Information

PRO ▶
TECH

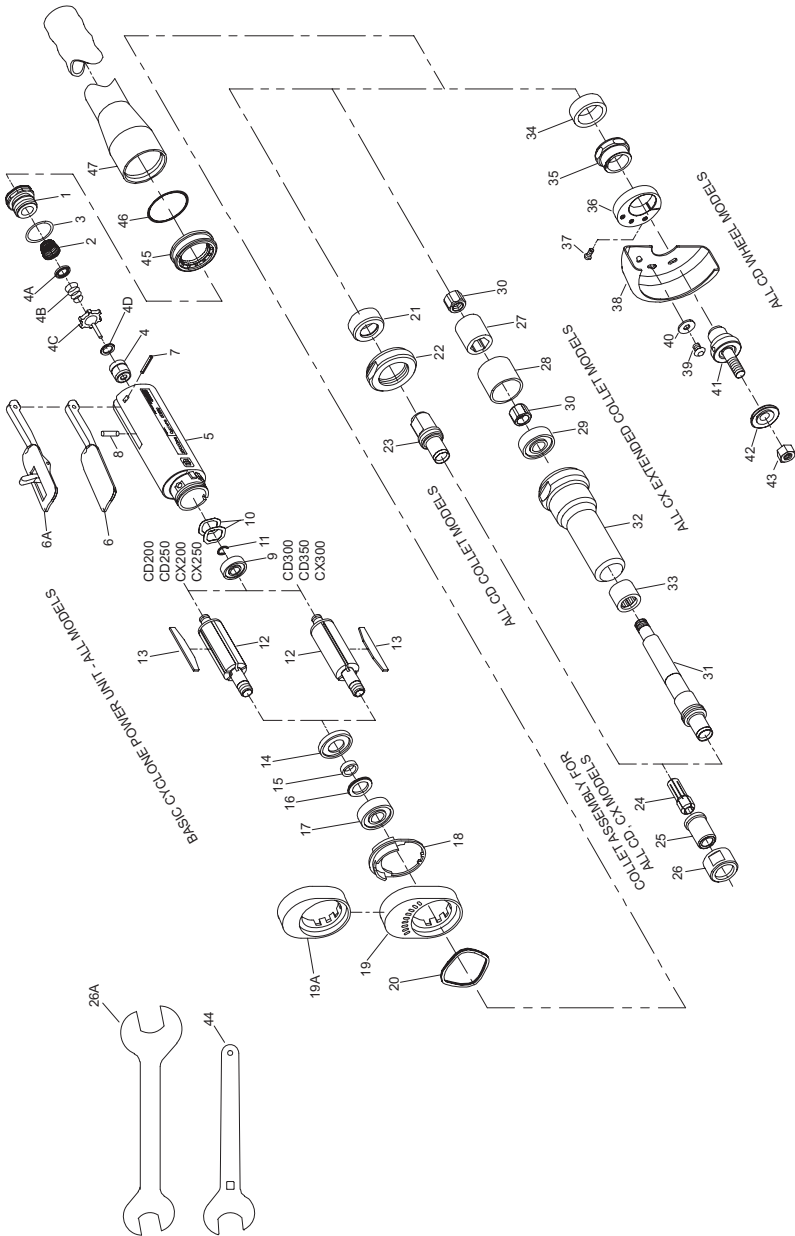
Professional Technologies Sweden AB
Munkerödsvägen 3
444 32 STENUNGSUND
Tel 0303-89 135 - www.protech.nu



Save These Instructions

 **Ingersoll Rand**

CD and CX Grinder and Die Grinder Exploded Diagram



(Dwg. TPA1267-7)

CD and CX Grinder and Die Grinder Parts List

| Item | Part Description | Part Number | Item | Part Description | Part Number | |
|------|---|-------------|-------|---|---------------|---------|
| | Common parts for ALL CD and CX Grinders | | 18 | Flow Ring | | |
| 1 | Inlet Assembly | LG1-A465A | | for CD200 and CX200 (20000 rpm) (grey) | LG1-103-0 | |
| 2 | Inlet Screen | R1602-61 | | for CD250 and CX250 (25000 rpm) (brown) | LG1-103-1 | |
| • 3 | Inlet Seal | 85H-167 | | for CD300 and CX300 (30000 rpm) (khaki) | LG1-103-2 | |
| | Throttle Valve Kit | LG1-K300 | | for CD350 (32000 rpm) (red) | LG1-103-3 | |
| 4 | Throttle Valve Case | LG1-300A | | | | |
| 4A | Throttle Valve Spring Seat | LG1-592 | | | | |
| 4B | Throttle Valve Spring | 7L-51 | 19 | High Profile Flange | LG1-23 | |
| 4C | Throttle Valve | AG210-302 | # 19A | Low Profile Concentric Flange (for all models ending in C or MC) | LG1R-23 | |
| 4D | Throttle Valve Seat | LG1-303 | | | | |
| 5 | Motor Housing | LG1-40 | 20 | Flange Clamp | LG1-29 | |
| 6 | Throttle Lever | LG1-273 | | Additional parts for all CD collet models | | |
| 6A | Locking Throttle Lever Assembly (standard equipment on models ending in C, L, MC or ML; optional for all others) | LG1-A400 | | 21 | Clamp Spacer | LG1-46 |
| | | | | 22 | Clamp Nut | LG1-27 |
| | | | | 23 | Collet Body | LG1-290 |
| * | Lever Lock | LG1-402 | | Additional parts for all collet models | | |
| * | Lock Spring | LG1-405 | 24 | Collet | | |
| * | Lock Pin | 5UT-757 | | 6 mm (-EU models) | DG110-700-6mm | |
| 7 | Throttle Lever Pin | 61H-120 | | 1/4" (standard domestic) | DG110-700-G4 | |
| 8 | Throttle Valve Plunger | LG1-191 | | 1/8" (available at extra price) | DG110-700-G2 | |
| 9 | Rear Rotor Bearing | DG230-22 | 25 | Nosepiece | AG210-698A | |
| • 10 | Rear Rotor Bearing Spacer (2) | DG20-278 | 26 | Collet Nut | AG210-699A | |
| • 11 | Rear Rotor Bearing Retainer | LG1-118 | 26A | Collet Wrench (11/16" x 7/16") (included with all models) (2) | DG20-69A | |
| 12 | Rotor | | | Additional parts for all extended CX collet models | | |
| | for CD300, CX300 and CD350 (3 slots) | LG1-53-3 | | | | |
| | for all others (5 slots) | LG1-53-5 | 27 | Arbor Coupling | LE1-304 | |
| • 13 | Vane Packet (set of 5 Vanes) | LG1-42-5 | 28 | Clamp Sleeve | LE1-276 | |
| 14 | Front End Plate | LG1-11 | 29 | Rear Arbor Bearing | AG210-24 | |
| 15 | Front End Plate Spacer | DG10-65-5 | 30 | Arbor Bearing Nut (2) | LE1-85 | |
| • 16 | Front Seal Cup | LG1-32 | 31 | Extension Arbor | LE1-4A-3 | |
| 17 | Front Rotor Bearing | LG1-24 | 32 | Arbor Housing Assembly | LE1-A20-3 | |
| | | | 33 | Front Arbor Bearing | AGS241-511 | |

* Not illustrated.

- To keep downtime to a minimum, it is desirable to have on hand certain repair parts. We recommend that you stock one (pair or set) of each part indicated by a bullet (•) for every four tools in service.



Always install a Locking Throttle Lever Assembly (6A) on a tool with a Low Profile Concentric Flange (19A). Do not equip a tool with a standard non-locking Throttle Lever (6) and Low Profile Concentric Flange. This can allow the tool to continue to run if dropped or set down.

† When ordering a Piped-Away Exhaust Kit, make certain the wrench hex on the Inlet Assembly of your tool is threaded. If it is **NOT** threaded, order a new Inlet Assembly (Part No. LG1-A465A).

+ Standard equipment on models ending in M, MC or ML and ALL Front Exhaust models; optional equipment on all other models.

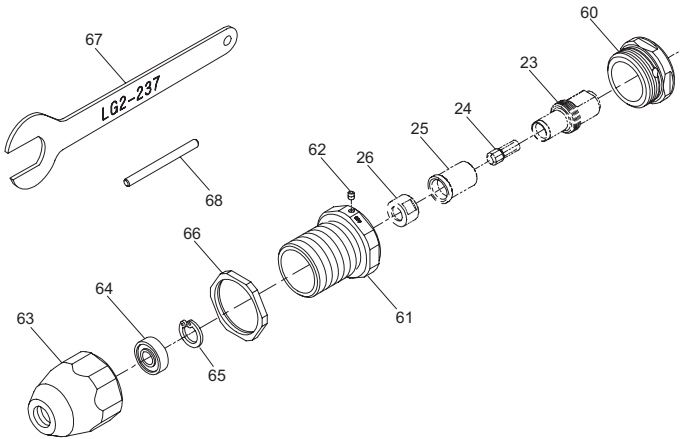
| Item | Part Description | Part Number | Item | Part Description | Part Number |
|------|---|------------------------------------|------|--------------------------------|----------------------------|
| | Additional parts for all CD wheel models | | * | Nameplate | |
| | | | | for CD200 models ending in -EU | LG120-EU-301 |
| 34 | Clamp Spacer | LG1-46H63 | | for all other CD200 models | LG120-301 |
| 35 | Clamp Nut | LG1-28 | | for CD250 models ending in -EU | LG125-EU-301 |
| 36 | Guard Adapter Assembly | LA1-A710 | | for all other CD250 models | LG125-301 |
| 37 | Guard Adapter Screw | 804-634 | | for CD300 models ending in -EU | LG130-EU-301 |
| 38 | Wheel Guard | AG20-106-3 | | for all other CD300 models | LG130-301 |
| 39 | Wheel Guard Mounting Screw (3) | LA1-667 | | for CD350 models ending in -EU | LG135-EU-301 |
| 40 | Mounting Screw Washer (3) | R2-320 | | for all other CD350 models | LG135-301 |
| 41 | Straight Wheel Adapter | LG1-4-H63 | | for CX200 models ending in -EU | LE120-EU-301 |
| 42 | Wheel Flange | DEG31-16 | | for all other CX200 models | LE120-301 |
| 43 | Flange Nut | 23-697 | | for CX250 models ending in -EU | LE125-EU-301 |
| 44 | Clamp Nut Wrench (1-3/16") | LA2-253 | | for all other CX250 models | LE125-301 |
| | Accessories for all CD and CX models | | | for CX300 models ending in -EU | LE130-EU-301 |
| | | | | | for all other CX300 models |
| † | Piped-Away Exhaust Kit | LG1-K284 | | | |
| + 45 | Exhaust Hose Adapter | LG1-284 | | | |
| + 46 | Exhaust Hose Retainer | LG1-67 | | | |
| + 47 | Exhaust Hose | 3RL-284 | | | |
| * | Variable Speed Control | LG1-A1015 | | | |
| * | Warning Label | | | | |
| | | for models ending in H63-EU | | | EU-63-99 |
| | | for all other models ending in -EU | | | EU-99 |
| | | for all other models | | | LG1-99 |

* Not illustrated.

† When ordering a Piped-Away Exhaust Kit, make certain the wrench hex on the Inlet Assembly of your tool is threaded. If it is **NOT** threaded, order a new Inlet Assembly (Part No. LG1-A465A).

+ Standard equipment on models ending in M, MC or ML and ALL Front Exhaust models; optional equipment on all other models.

CD and CX Router Attachment Assembly Exploded Diagram



(Dwg.TPC612)

CD and CX Router Attachment Assembly Parts List

| Item | Part Description | Part Number |
|------|---|-------------|
| | Router Attachment Assembly (for 1/4" diameter bits) | CD-RK4 |
| 60 | Motor Clamp Nut | LG1R-27 |
| 61 | Nosepiece Adapter | LG1R-124 |
| 62 | Adapter Lock Screw | 0E9-561 |
| 63 | Nosepiece Assembly | LG2-A125-1 |
| 64 | Nosepiece Bearing | TD200-127 |
| 65 | Bearing Retaining Ring | RXA21-343 |
| 66 | Locknut | R120-126 |
| 67 | Locknut Wrench | LG2-237 |
| 68 | Sprag Pin | 244-302 |

Parts and Maintenance

When the life of the tool has expired, it is recommended that the tool be disassembled, degreased and parts be separated by material so that they can be recycled.

Tool repair and maintenance should only be carried out by an authorized Service Center. Refer all communications to the nearest **Ingersoll Rand** Office or Distributor.

Related Documentation

For additional information refer to:
 Product Safety Information Manual 04584959 and 04580288.
 Product Information Manual 16576282 and 16576308.
 Product Maintenance Information Manual 16575078.

Manuals can be downloaded from www.irtools.com.

Notes

www.irtools.com

© 2006 Ingersoll Rand Company

