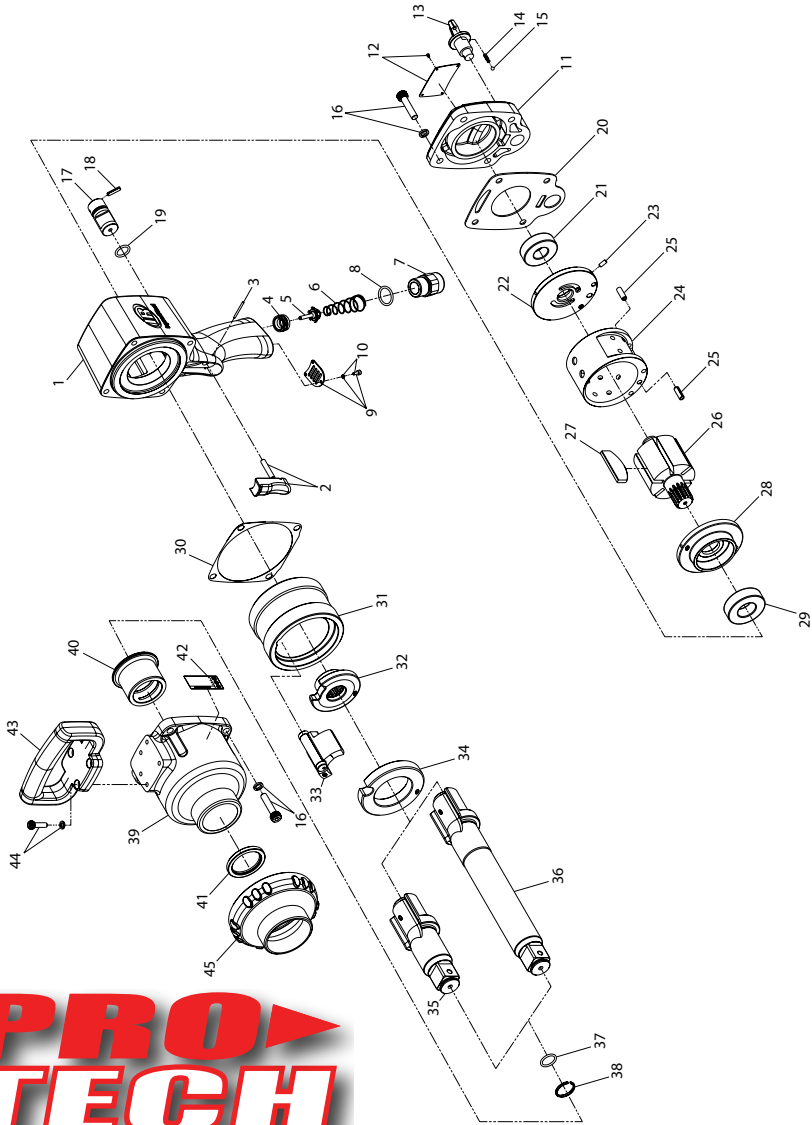


295A Air Impact Wrench Exploded Diagram



PRO TECH

(Dwg. 16578742)

Professional Technologies Sweden AB
Munkerödsvägen 3
444 32 STENUNGSUND
Tel 0303-89 135 - www.protech.nu



80160674
Edition 4
December 2008

295A Air Impact Wrench Parts List

Item	Part Description	Part Number	Item	Part Description	Part Number
1	Handle Assembly	295A-A40	26	Rotor	285B-53
2	Trigger	295A-A93	27	Vane Pack (set of 6)	285B-42-6
3	Pin, Spring	295A-439	28	Front Endplate	285B-11
4	Valve Seat	295A-303	29	Front Rotor Bearing	285B-96
5	Throttle Valve	295A-50	30	Hammer Case Gasket	285B-36
6	Throttle Valve Spring	295A-51	31	Hammer Frame	285B-703
7	Inlet Bushing Assembly	295A-A565	32	Hammer Cam	285B-721
8	O-Ring	295A-566	33	Hammer	285B-724
9	Deflector Kit	295A-A23	34	Side Plate	285B-706
10	Screw and Washer (3 sets)	295A-A262	35	Anvil Assembly, Standard Length	285B-A726
11	Backhead Assembly	295A-A102	36	Anvil Assembly, 6" Extended Length	285B-A726-6
12	Nameplate and 4 Rivets	295A-A301	37	O-Ring	BBFM-557
13	Reverse Lever	295A-A658	38	Retainer Ring	910E5-918
14	Spring	295A-334	39	Hammer Case Assembly	285B-A727
15	Ball	285B-333	40	Hammer Case Bushing	285B-641
16	Handle Capscrew and Washers (set of 8)	285B-A638	41	Oil Seal	285B-642
17	Reverse Valve Assembly	295A-A329	42	Warning Label	WARNING-2-99
18	Stop Pin	295A-120	43	Dead Handle (Straight) with Screws	285B-A48
19	O-Ring	285B-338	44	Screw and Washer (3)	--
20	Gasket, Handle	295A-283	45	Hammer Case Guard	431L-62
21	Rear Rotor Bearing	285B-24		Tune-up Kit (includes items 5, 6, 8, 14, 15, 18, 19, 20, 21, 27, 29, 30, 37, 38 and 41)	295A-TK1
22	Endplate with Alignment Pin	285B-A12			
23	Pin, Spring	--			
24	Cylinder and Alignment Pins	285B-A3			
25	Pin, Spring (2)	--			

Parts and Maintenance

When the life of the tool has expired, it is recommended that the tool be disassembled, degreased and parts be separated by material so that they can be recycled.

Tool repair and maintenance should only be carried out by an authorized Service Center.

Refer all communications to the nearest **Ingersoll Rand** Office or Distributor.

Related Documentation

For additional information refer to:

Air Impact Wrench Product Safety Information Manual 04580916.

Air Impact Wrench Product Information Manual 45573011.

Manuals can be downloaded from www.irtools.com.