



04584470

Edition 2

July 2008

Air Impact Wrench

2934P2 and 2940P2

Parts Information

PRO
TECH

Professional Technologies Sweden AB

Munkerödsvägen 3

444 32 STENUNGSUND

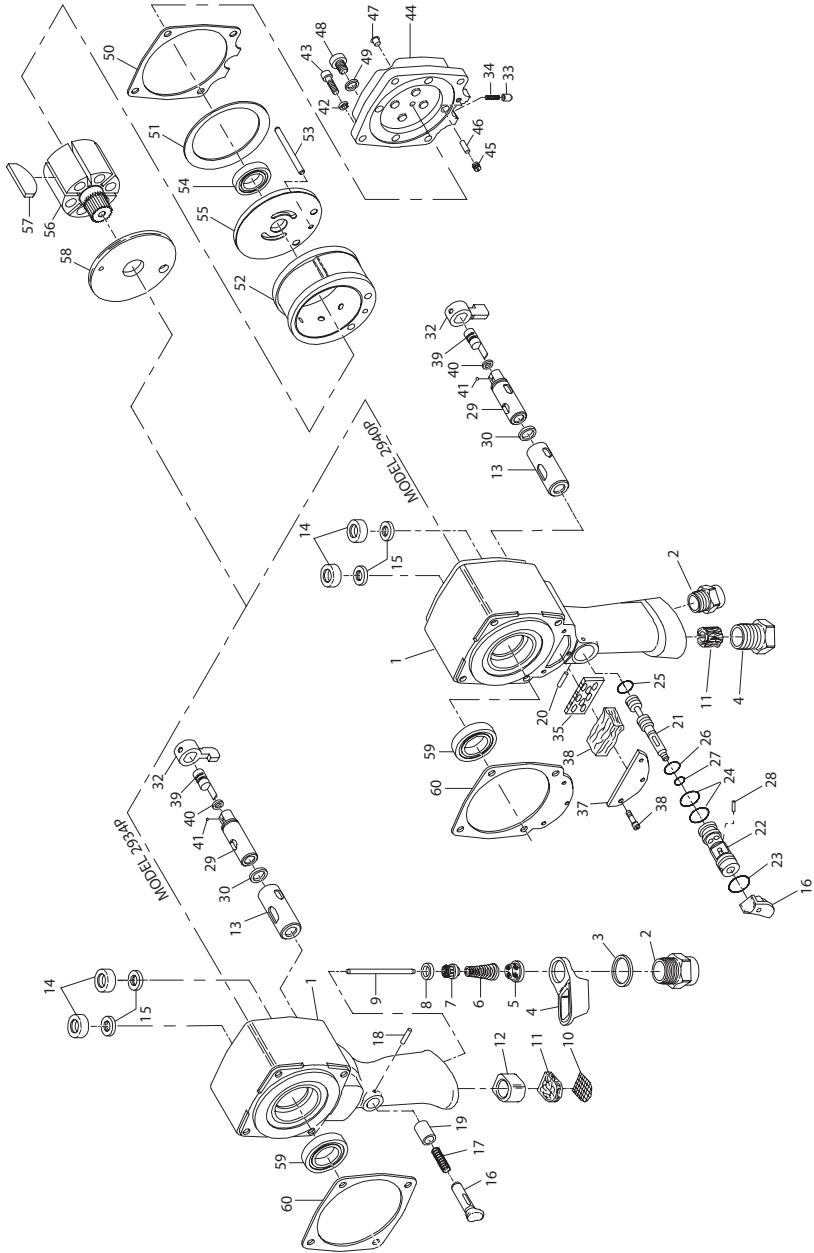
Tel 0303-89 135 - www.protech.nu



Save These Instructions

 **Ingersoll Rand**

2934P2 and 2940P2 Air Impact Wrench Exploded Diagram



(Dwg. TPA1337-1)

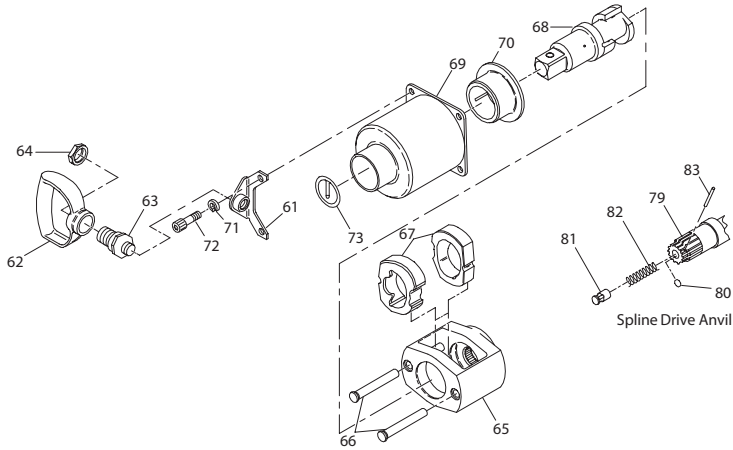
2934P2 and 2940P2 Air Impact Wrench Parts List

Item	Part Description	Part Number		Item	Part Description	Part Number	
		2934P2	2940P2			2934P2	2940P2
1	Motor Housing Assembly	2934P-A40A	2940P-A40	29	Reverse Valve Assembly	2934P-A329	2940P-A329
2	Inlet Bushing	2934P-465	2940P-A565	† 30	Reverse Valve Seal	85H-167	85H-167
3	Washer	2934P-788	---	32	Reverse Lever	2934-658A	2934-658A
4	Exhaust Deflector	2934P-123	2940P-23	† 33	Reverse Lock Plunger	4U-663B	4U-663B
† 5	Air Strainer Screen	434-61	---	† 34	Reverse Lock Spring	4U-664	4U-664
† 6	Throttle Valve Spring	834-51	---	35	Exhaust Diffuser	---	2940P-123
7	Throttle Valve	2934P-50	---	† 36	Exhaust Silencer	---	2940P-311
† 8	Throttle Valve Face	2934-159	---	37	Silencer Cover	---	2940P-240
9	Throttle Valve Plunger	2934P-302	---	38	Silencer Cover Screws (3)	---	401-638
10	Exhaust Screen	2934P-310	---	39	Power Regulator Assembly	2934P-A249	2940P-A249
† 11	Exhaust Silencer	2934P-311	2940P-311	† 40	Power Regulator Seal	R1A-159	R1A-159
12	Exhaust Deflector Seal	2934P-789	---	41	Power Regulator Retaining Ball	AV1-255	AV1-255
13	Reverse Valve Bushing	2934P-330S	2940P-330S	42	Housing Cover Lock Washer (4)	8U-58-10	AV1-255
† 14	Air Port Gasket (2)	R44H-210A	R44H-210A	43	Housing Cover Capscrew (4)	510-638	510-638
† 15	Gasket Retainer (2)	2940-200	2940-200	44	Housing Cover Assembly	2934P-A102A	2934P-A102A
16	Trigger	2934P-93	5RA-93	45	Oiler Adjusting Screw	R2-71	R2-71
† 17	Trigger Spring	2934P-51	---	† 46	Oiler Felt	R2-75	R2-75
18	Trigger Retaining Pin	R1AF-524	---	† 47	Grease Fitting	1305R-188	1305R-188
19	Trigger Bushing	2905-91S	---	48	Oil Chamber Plug	R4-227	R4-227
† 20	Throttle Valve Assembly Retaining Pin	---	2940P-757	† 49	Oil Chamber Plug Gasket	R4-92	R4-92
† 21	Throttle Valve Assembly	---	293-A302	† 50	Housing Cover Gasket	2934-283	2934-283
22	Throttle Valve Bushing Assembly	---	293-A503	51	Motor Clamp Washer	2934-207	2934-207
† 23	Throttle Valve Bushing O-Ring (Large)	---	AD100-18	52	Cylinder	2934-3	2940-3
† 24	Throttle Valve Bushing O-Ring (Small) (2)	---	AFH120A-358	53	Cylinder Dowel	2934-98	2940-98
† 25	Throttle Valve Face O-Ring	---	PS3-67	† 54	Rear Motor Bearing	508-97	508-97
• 26	Throttle Valve O-Ring	---	293-134	55	Rear End Plate	2934-12	2934-12
• 27	Throttle Valve Stem O-Ring	---	293-669	56	Rotor	2934-53	2940-53
† 28	Trigger Retaining Pin	---	AF120-322	† 57	Vane Packet (Set of 6 Vanes)	2934-42-6	2940-42-6
				58	Front End Plate	2934-11	2934-11
				† 59	Front Rotor Bearing	810-97	810-97
				† 60	Hammer Case Gasket	2934-36	2940P-36

† Indicates Tune-up Kit part.

• To keep downtime to a minimum, it is desirable to have on hand certain repair parts. We recommend that you stock one (pair or set) of each part indicated by a bullet (•) for every four tools in service.

2934P2 and 2940P2 Air Impact Wrench Exploded Diagram (Continued)



(Dwg. TPA1338)

2934P2 and 2940P2 Air Impact Wrench Parts List (Continued)

Item	Part Description	Part Number	Item	Part Description	Part Number
61	Side Spade Handle Bracket	2934-364	72	Hammer Case Cap Screw (4)	834-638
62	Side Spade Handle	T15-41	73	Socket Retainer	RR10015S
63	Side Spade Handle Stud	534-448	79	Spline Drive Anvil Assembly	
64	Side Spade Handle Nut	107-73A		for 2934P	2934-A526
65	Hammer Frame Assembly		for 2940P	2940-A526	
	for 2934P	2934-A703	80	Socket Retaining Ball	D04-280
	for 2940P	2940-A703	81	Retaining Ball Plunger	845-230
•66	Hammer Pins		82	Retaining Plunger Spring	2940-231
	for 2934P	2934-704	83	Plunger Retaining Pin	845-128
	for 2940P	2940-704	*	Dead Handle (for 2940P only)	834-48
•67	Hammers (2)		*	Horizontal Hanger	2934-366
	for 2934P	2934-724	*	Horizontal Hanger Spacer (2) (required only when the 2934-366 Hanger is used in conjunction with the No. 2934-364 Side Spade Handle Bracket)	2934-140
	for 2940P	2940-724			
68	1" Square Drive Anvil		*	Nameplate	
	for 2934P	2934-726		for 2934P	2934P-301
	for 2940P	2940-726		for 2934P-EU	2934P-EU-301
69	Hammer Case Assembly		for 2940P	2940P-301	
	for 2934P	2934-A727	for 2940P-EU	2940P-EU-301	
	for 2934P-EU	2934P-EU-A727	*	Nameplate Screws (3)	C32-302
	for 2940P	2940-A727		*	Exhaust Deflector Kit for 2934P only (includes illustrated items 2, 3, 4, 10, 11, and 12)
	for 2940P-EU	2940P-EU-A727			
*	Hammer Case Label		*	Tune-up Kit	
	for 2934P and 2940P	WARNING-2-99		for 2934P only (includes illustrated items 5, 6, 8, 11, 14[2], 17, 30, 33 34 40, 46, 50, 54, 57, 59 and 60)	2934-TK3
	for 2934P-EU and 2940P-EU	EU-99		for 2940P only (includes illustrated items 11, 14[2], 15[2], 23, 24 [2], 25, 28, 30, 33, 34, 36, 40, 46, 49, 50, 54, 57, 59 and 60)	2940-TK3
70	Hammer Case Bushing	2934-641			
*	Hammer Case Label	WARNING-2-99			
*	Overize Hammer Case Bushing (for 2940P only)				
	0.005" overize	2934-641-5			
	0.010" overize	2934-641-10			
	0.015" overize	2934-641-15			
71	Hammer Case Cap Screw Lock Washer (4)	34U-58			

* Not illustrated.

• To keep downtime to a minimum, it is desirable to have on hand certain repair parts. We recommend that you stock one (pair or set) of each part indicated by a bullet (•) for every four tools in service.

Parts and Maintenance

When the life of the tool has expired, it is recommended that the tool be disassembled, degreased and parts be separated by material so that they can be recycled.

Tool repair and maintenance should only be carried out by an authorized Service Center.

Refer all communications to the nearest Ingersoll-Rand Office or Distributor.

Related Documentation

For additional information refer to:

Safety Information Manual Form 04580916.

Product Information Manual Form 04584835.

Maintenance Information Manual Form 04584314.

Manuals can be downloaded from www.irttools.com.

Notes:

Notes:

www.irttools.com

© 2008 **Ingersoll Rand** Company

