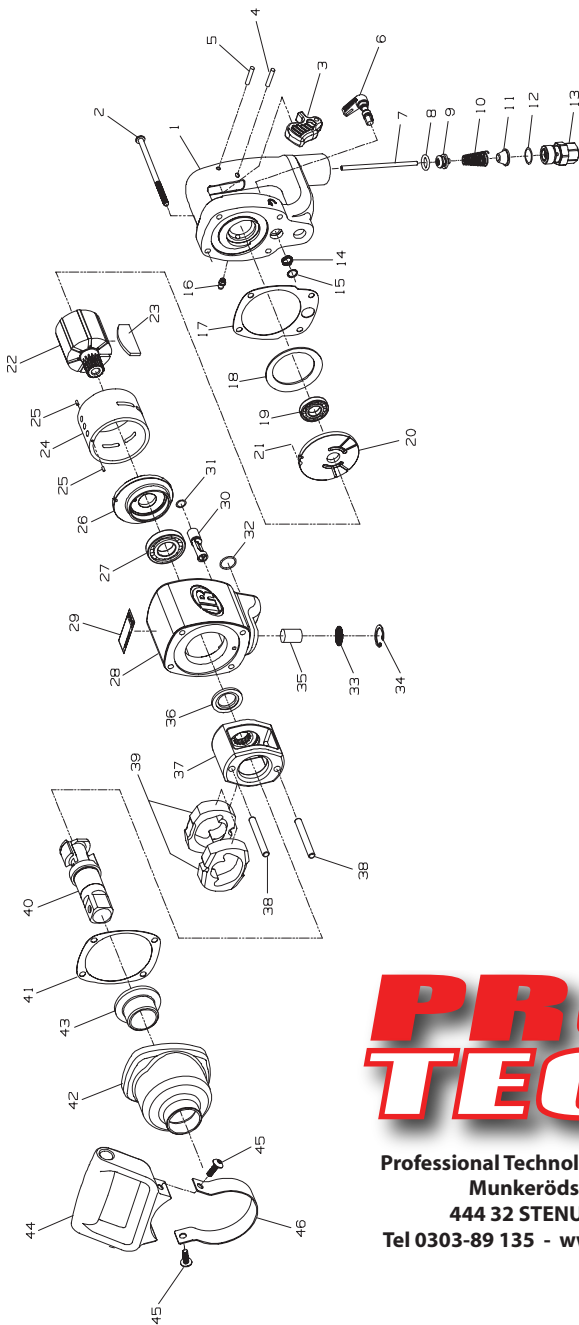


## 2925B Air Impact Wrench Exploded Diagram



# PRO TECH

Professional Technologies Sweden AB  
Munkerödsvägen 3  
444 32 STENUNGSUND  
Tel 0303-89 135 - [www.protech.nu](http://www.protech.nu)

(Dwg. TPA1735-1)

## 2925B Air Impact Wrench Parts List

Item	Part Description	Part Number	Item	Part Description	Part Number
1	Handle	2925B-92	25	Cylinder Dowel (2)	JC3350-538
2	Handle Bolt (4)	2080-638	26	Front End Plate	2925-11
3	Trigger	2925B-93	27	Front Rotor Bearing	834-24
4	Trigger Pin (2)	534-265	28	Motor Housing	2925B-A40
6	Reverse Lever	2080-658	29	Warning Label	WARNING-2-99
7	Trigger Plunger	2925B-94	30	Reverse Valve	2161-329
8	Throttle Valve Seat	2934-159	31	O-Ring	023446
9	Throttle Valve	2934-50	32	O-Ring	C321-606
10	Throttle Valve Spring	834-51	33	Exhaust Cover	2080-123
11	Inlet Screen	834-61	34	Snap Ring	3CS5492-28
12	O-Ring	AF120-290	35	Muffler	2080-310
13	Inlet	2161-A465	36	Hammer Frame Washer	2161-706
14	Reverse Lever Spring	2080-278	37	Hammer Frame	2925-703
15	Snap Ring	2161-28	38	Hammer Pin (2)	2910-704
16	Grease Fitting	R1-188	39	Hammer (2)	2925-724
17	Handle Gasket	2161-739	40	Anvil	2910-826
18	Motor Clamp Washer	2161-207	41	Hammer Case Gasket	2161-36
19	Rear Rotor Bearing	4E-510	42	Hammer Case Assembly	2161-A727
20	Rear End Plate	2925-12	43	Hammer Case Bushing	2161-641
21	End Plate Dowel	2910-74		Auxiliary Handle Assembly	2080-A48
22	Rotor	2925-53	44	Auxiliary Handle	2080-48
23	Vane Packet (set of 7 Vanes)	2925-42-7	45	Bolt (2)	2080-49
24	Cylinder		46	Strap	2080-364
	for 2925B2	2925-3	*	Tune-up Kit (includes parts 8, 9, 10, 11, 12, 17, 19, 23, 27, 31, 32, 35 and 41)	2925B-TK1
	for 2925RB2	2925RB-3			

### Parts and Maintenance

When the life of the tool has expired, it is recommended that the tool be disassembled, degreased and parts be separated by material so that they can be recycled.

Tool repair and maintenance should only be carried out by an authorized Service Center.

Refer all communications to the nearest **Ingersoll Rand** Office or Distributor.

### Related Documentation

For additional information refer to:  
 Safety Information Manual Form 04580916.  
 Product Information Manual Form 04584843.  
 Maintenance Information Manual Form 04584322.

Manuals can be downloaded from [www.irtools.com](http://www.irtools.com).