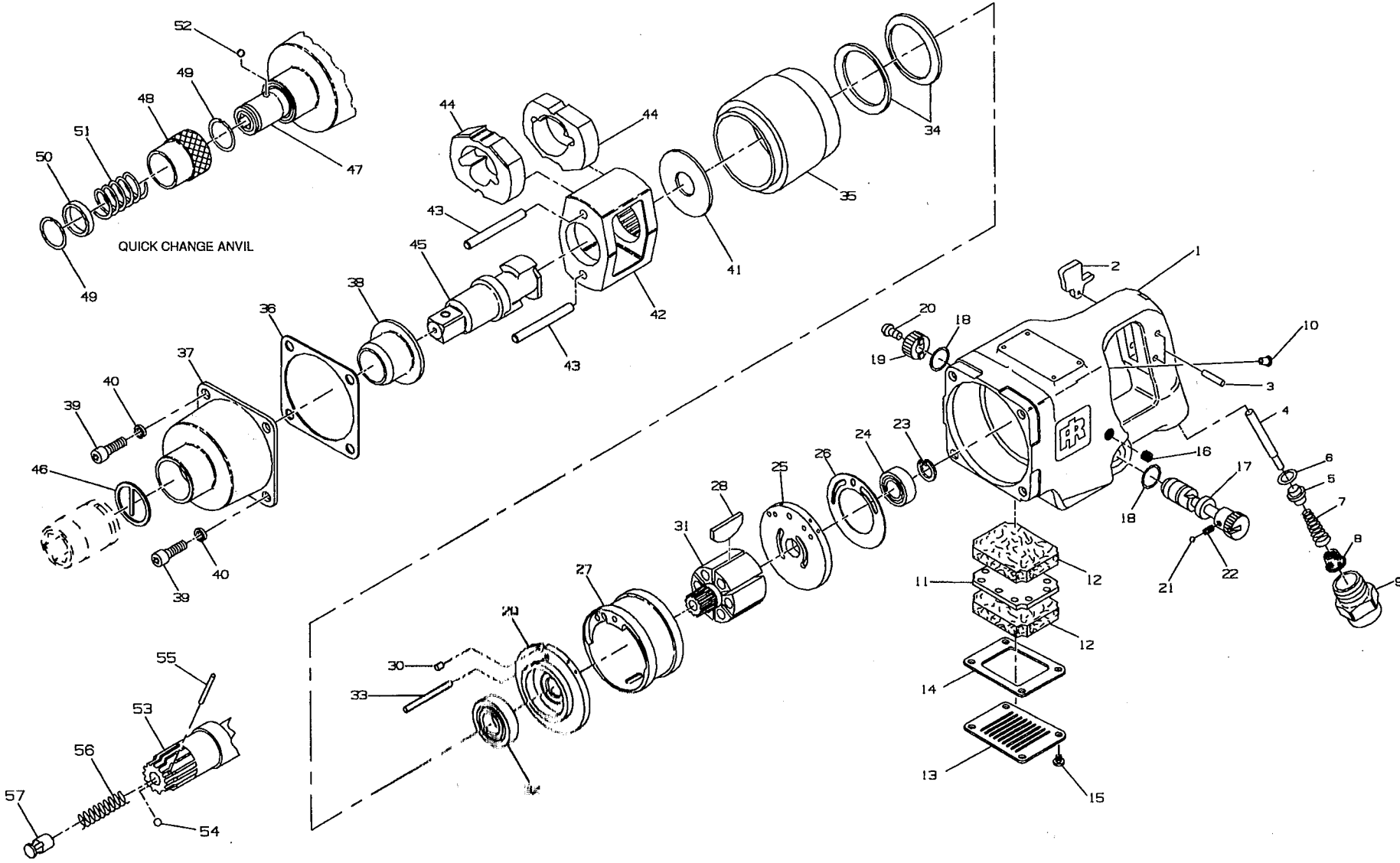


MAINTENANCE SECTION



4

(Dwg. TPA960-1)

PART NUMBER FOR ORDERING

PART NUMBER FOR ORDERING

1	Motor Housing Assembly	2920B-A40	29	Front End Plate	2921HP-11
2	Trigger	834-93A	30	End Plate Dowel	2920-74
3	Trigger Pin (2)	534-265	31	Rotor	2910B-53
4	Throttle Valve Plunger	2920B-302	32	Front Rotor Bearing	834-24
5	Throttle Valve Assembly	834-50	33	Cylinder Dowel	910-98
• 6	Throttle Valve Face	435-159	34	Motor Clamp Washer (2)	2920-207
7	Throttle Valve Spring	834-51	35	Motor Retainer	2920B-800
• 8	Air Strainer Screen	834-61	36	Hammer Case Gasket	910-36
9	Air Inlet Bushing	834-565	37	Hammer Case Assembly	2920B-A727
10	Grease Fitting	130SR-188	38	Hammer Case Bushing	2920-641
11	Exhaust Baffle	2920B-124	39	Hammer Case Cap Screw (4)	34U-103
12	Exhaust Silencer (2)	2920B-311	40	Cap Screw Lock Washer (4)	T11-58
13	Exhaust Deflector	2910B-23	41	Rear Hammer Frame Washer	910-706
14	Exhaust Deflector Gasket	2910B-223	42	Hammer Frame Assembly	2910-A703
15	Exhaust Deflector Screw (4)	H54U-667	43	Hammer Pin (2)	2910-704
16	Oil Chamber Plug	R2-227	44	Hammer (2)	2910-724
17	Reverse Valve	2910B-329	45	Anvil	
• 18	Reverse Valve Seal(2)	261-283		3/4" square drive	2910-726
19	Reverse Valve Knob	231-666		1" square drive	2910-826
20	Reverse Valve Knob Screw	231-665	46	Socket Retainer	
21	Reverse Valve Detent Ball	AV1-255		for 3/4" square drive	RR10034S
22	Reverse Valve Detent Spring	231-664		for 1" square drive	RR10015S
*	Housing Label	WARNING-2-99		Quick Change Anvil Assembly	2910B-A926-10
23	Rear Rotor Bearing Retainer	MVA008-218	47	Quick-Change Anvil	2910B-926-10
24	Rear Rotor Bearing	4E-510	48	Retaining Sleeve	W54-930-10
25	Rear End Plate	2921HP-12	49	Thrust Ring Lock (2)	W54-933-10
• 26	Rear End Plate Gasket	2920B-283	50	Thrust Ring	W54-932-10
27	Cylinder	2920-3	51	Retaining Sleeve Spring	W54-931-10
• 28	Vane Packet (set of 6 Vanes)	2910-42-6	52	Retaining Ball	8U-722

* Not illustrated.

- To keep downtime to a minimum, it is desirable to have on hand certain repair parts. We recommend that you stock one (pair or set) of each part indicated by a bullet (•) for every four tools in service.

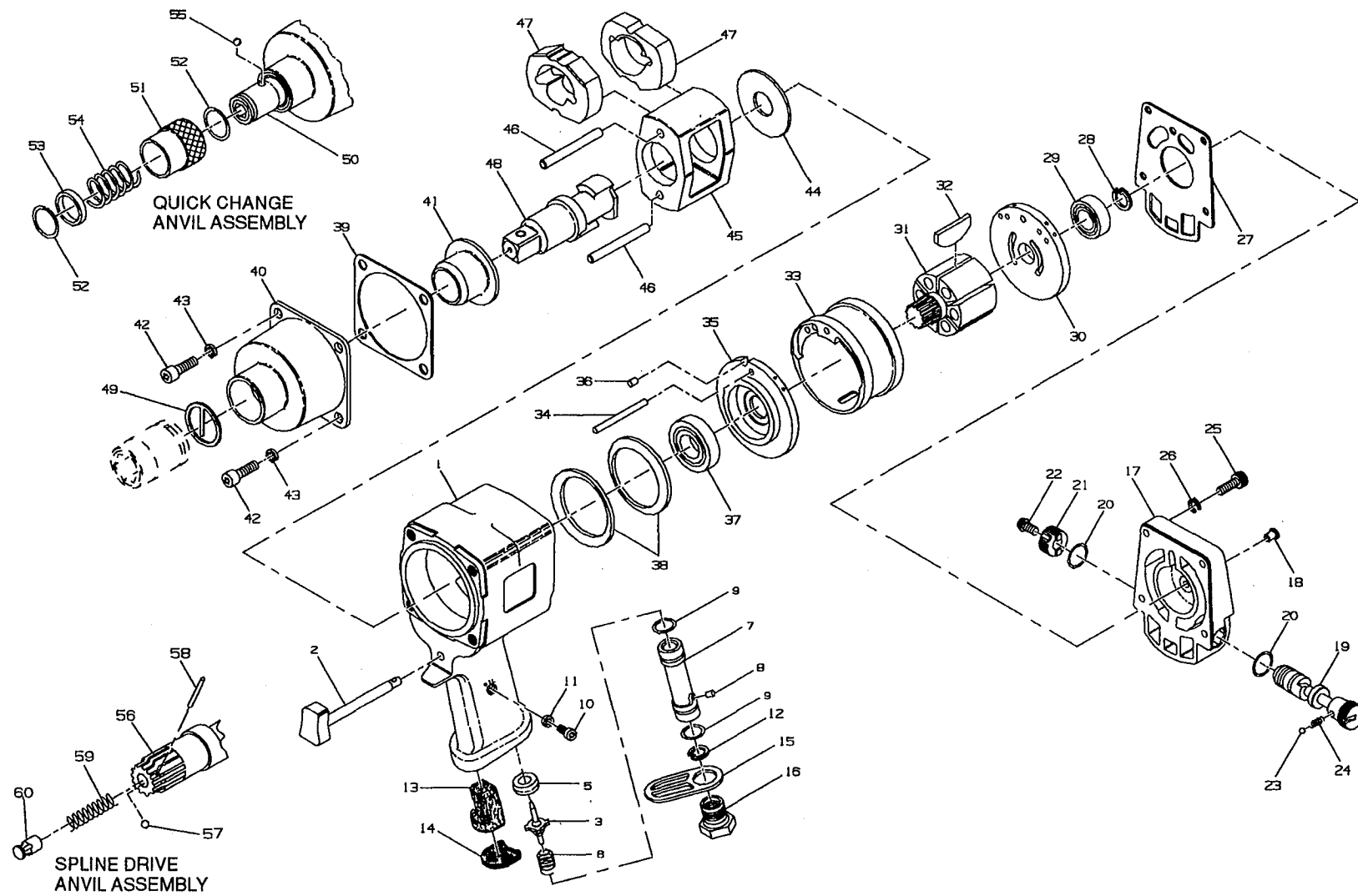
MAINTENANCE SECTION

PART NUMBER FOR ORDERING

PART NUMBER FOR ORDERING

53	No. 4 Spline Drive Anvil Assembly	2910-A526	*	Side Spade Handle	T15-41
54	Socket Retaining Ball	G601-65	*	Side Spade Handle Stud	534-448
55	Retaining Ball Plunger	910-230	*	Side Spade Handle Stud Nut	107-73A
56	Ball Plunger Spring	12SR-262	*	Nameplate	2920B-301
57	Plunger Retaining Pin	502B-120	*	Nameplate Screw (4)	C32-302
*	Dead Handle Bracket	2910B-364	*	Tune-up Kit (includes illustrated parts 6, 7, 8, 12 [2], 14, 18 [2], 21, 22, 23, 24, 26, 28, 32 and 36)	2920B-TK2
*	Dead Handle	834-48			
*	Horizontal Hanger	910-366			

* Not illustrated.



7

MAINTENANCE SECTION

PART NUMBER FOR ORDERING

PART NUMBER FOR ORDERING

1	Motor Housing Assembly	2920P-A40	27	Housing Cover Gasket	2920P-739
2	Trigger Assembly	2920P-A93	28	Rear Rotor Bearing Retainer	MVA008-218
3	Throttle Valve	DG230-302	29	Rear Rotor Bearing	4E-510
5	Throttle Valve Seat	DG230-303	30	Rear End Plate	2920HP-12
6	Throttle Valve Spring	2920P-51	31	Rotor	2910B-53
7	Oiler Assembly	2920P-A198	32	Vane Packet (set of 6 Vanes)	2910-42-6
5	Oiler Body Plug	77H-75	33	Cylinder	2920-3
9	Oiler Body Seal (2)	85H-167	34	Cylinder Dowel	910-98
10	Oiler Plug	D92-227	35	Front End Plate	2921HP-11
11	Oiler Plug Seal	R3-92A	36	Front End Plate Dowel	2920-74
12	Oiler Retaining Rig	SML8-24	37	Front Rotor Bearing	834-24
13	Exhaust Silencer	2920P-311	38	Motor Clamp Washer (2)	2920-207
14	Silencer Screen	2920P-310	39	Hammer Case Gasket	910-36
15	Exhaust Deflector	2920P-23	40	Hammer Case Assembly	2920B-A727
16	Inlet Bushing	2920P-465	41	Hammer Case Bushing	2920-641
17	Motor Housing Cover Assembly	2920P-A202	42	Hammer Case Cap Screw (4)	34U-103
18	Grease Fitting	130SR-188	43	Cap Screw Lock Washer (4)	T11-58
19	Reverse Valve	2910B-329	44	Rear Hammer Frame Washer	910-706
20	Reverse Valve Seal (2)	261-283	45	Hammer Frame Assembly	2910-A703
21	Reverse Valve Knob	231-666	46	Hammer Pin (2)	2910-704
22	Reverse Valve Knob Screw	231-665	47	Hammer (2)	2910-724
23	Reverse Valve Detent Ball	AV1-255	48	Anvil	
24	Reverse Valve Detent Sprig	231-664		3/4" square drive	2910-726
*	Housing Label	WARNING-2-99		1" square drive	2910-826
25	Housing Cover Cap Screw (4)	5080-638			
26	Cap Screw Lock Washer (4)	8U-58			

* Not illustrated.

MAINTENANCE SECTION

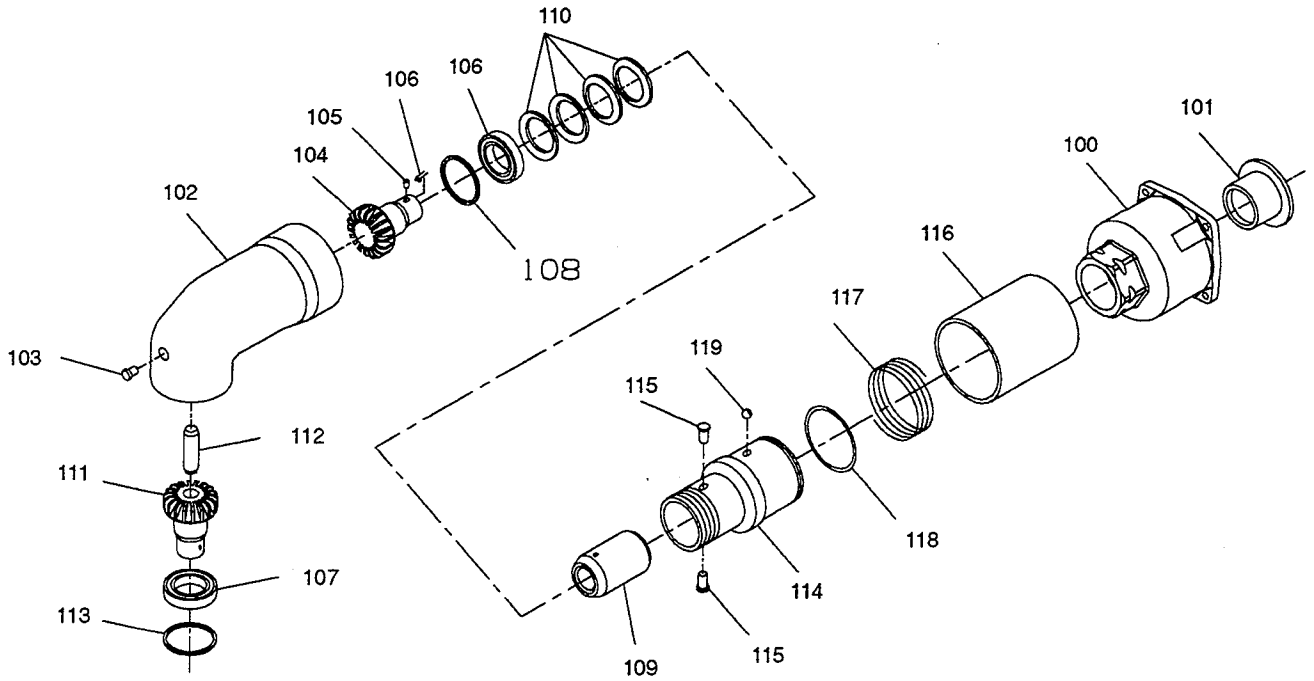
PART NUMBER FOR ORDERING

PART NUMBER FOR ORDERING

49	Socket Retainer for 3/4" square drive	RR10034S	58	Retaining Ball Plunger	910-230
	for 1" square drive	RR10015S	59	Ball Plunger Spring	12SR-262
	Quick Change Anvil Assembly	2910B-A926-10	60	Plunger Retaining Pin	502B-120
50	Quick-Change Anvil	2910B-926-10	*	Horizontal Hanger	910-366
51	Retaining Sleeve	W54-930-10	*	Nameplate	2920P-301
52	Thrust Ring Lock (2)	W54-933-10	*	Tune-up Kit (includes illustrated parts 3, 4, 5, 6, 9, [2], 11, 13, 20, [2], 23, 24, 27, 28, 29, 32, and 39)	2920P-TK2
53	Thrust Ring	W54-932-10			
54	Retaining Sleeve Spring	W54-931-10			
55	Retaining Ball	8U-722			
56	No. 4 Spline Drive Anvil Assembly	2910-A526			
57	Socket Retaining Ball	G601-65			

* Not illustrated.

MAINTENANCE SECTION



NO. 2920A90 ANGLE ATTACHMENT

(Dwg. TPC357)

PART NUMBER FOR ORDERING

100	Hammer Case Assembly	2920B-A827
101	Hammer Case Bushing	2920-641
*	Hammer Case Label	WARNING-3-99
	Angle Attachment Assembly	2920A90
102	Angle Housing Assembly	2920A90-A600
103	Grease Fitting	130SR-188
104	Bevel Pinion Assembly	2920A90-A602
105	Retainer Plunger	8U-715
106	Retainer Plunger Spring	5UHD-718
107	Bevel Pinion Bearing or Bevel Gear Bearing (2)	2920A90-593
108	Bevel Pinion Spacer	2920A90-608
109	Bevel Pinion Driver	2920A90-563
110	Bevel Pinion Washer Clamp (2)	2920A90-207
111	Bevel Gear	2920A90-601
112	Bevel Gear Spindle	2920A90-607
113	Bevel Gear Bearing Retainer	WBT380N-118
114	Angle Housing Connector	2920A90-680
115	Connector Lock Pin (2)	436A90-609
116	Connector Retaining Sleeve	2920A90-681
117	Retaining Sleeve Spring	2920A90-682
118	Connector Retaining Sleeve Stop	2920A90-303
119	Connector Retaining Ball (3)	8U-722
*	Socket Retainer	RR10034S

* Not illustrated.