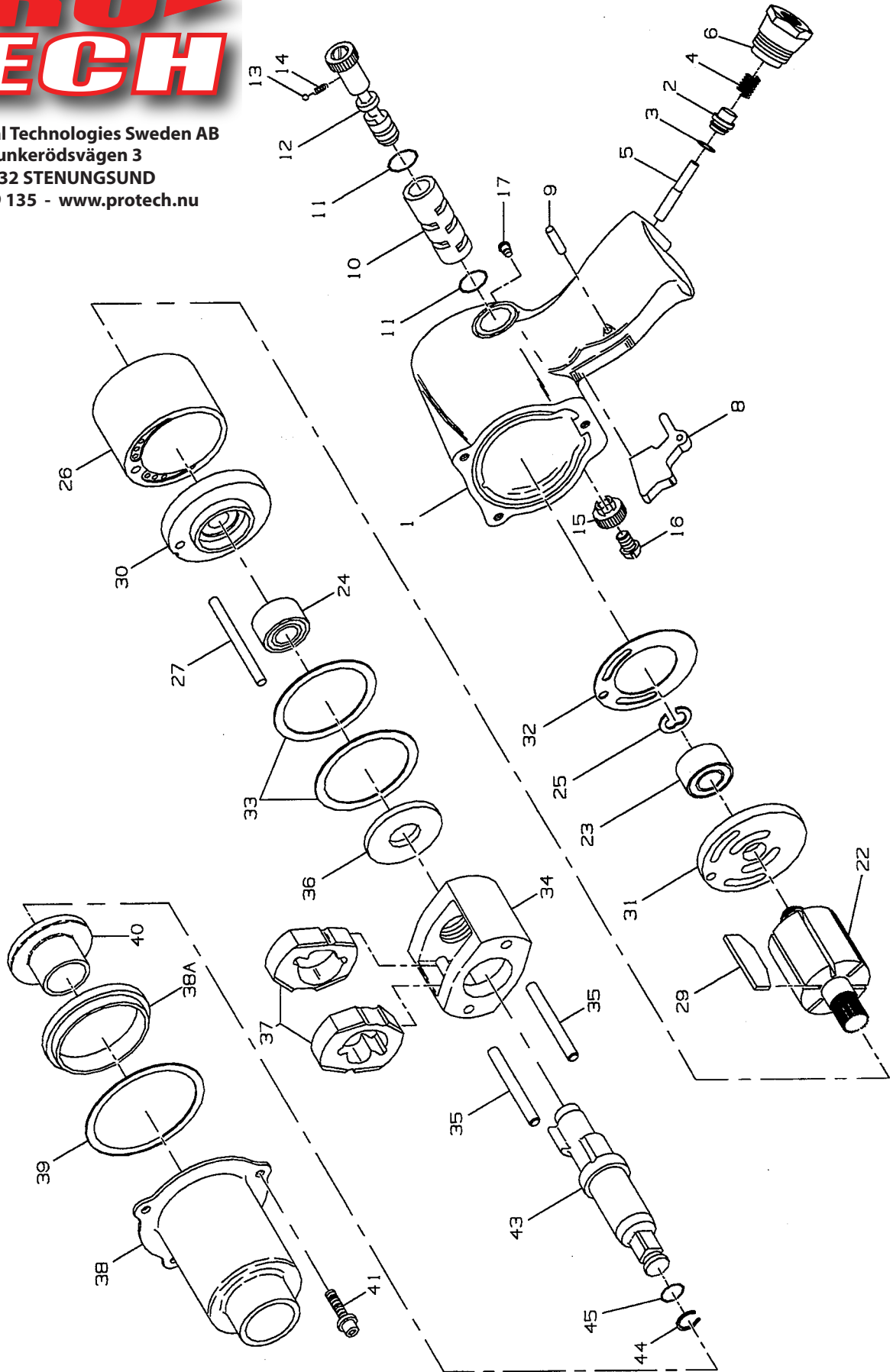


Professional Technologies Sweden AB
Munkerödsvägen 3
444 32 STENUNGSUND
Tel 0303-89 135 - www.protech.nu



MAINTENANCE SECTION

PART NUMBER FOR ORDERING

PART NUMBER FOR ORDERING

231XP, 231XP-2

1	Motor Housing Assembly	231-A40A			Vane Packet (set of 6 Vanes)	221-42-6
2	Throttle Valve Assembly	404-50			Front End Plate	231-11
♦ 3	Throttle Valve Face	405-159			Rear End Plate	231-12
♦ 4	Throttle Valve Spring	R1A-51			End Plate Gasket	231-283
5	Throttle Valve Stem for Housing with inlet at rear of handle	402-302			Motor Clamp Washer (2)	227-207
	for Housing with inlet at front of handle	230-302			Hammer Frame Assembly	231-A703
6	Air Strainer Assembly	402-565			Hammer Pin (2)	231-704
8	Trigger	705-93			Hammer Frame Rear Washer	231-706
9	Trigger Pin	533-656			Hammer (2)	231-724
10	Reverse Valve Bushing	231-A330			Hammer Case Assembly	705-A927
♦ 11	Reverse Valve Bushing Seal (2)	PS3-67			Hammer Case Pilot	405-800
12	Reverse Valve	231-329A			Hammer Case Gasket	230-36
♦ 13	Reverse Valve Detent Ball	AV1-255			Hammer Case Bushing	705-941
♦ 14	Reverse Valve Detent Spring	231-664			Hammer Case Cap Screw (3)	231-638
15	Reverse Valve Knob	231-666			Anvil Assembly	231B-A626
16	Reverse Valve Knob Screw	231-665			Standard length	231-A626A
17	Grease Fitting	130SR-188			2" Extended length	231-A414A-2
*	Housing Label	WARNING-2-99			Socket Retainer	231B-A414
22	Rotor	231-53			Retainer O-ring	R1A-159
♦ 23	Rear Rotor Bearing	402-22			Tube of Grease	405-MG1
♦ 24	Front Rotor Bearing	4U-97			Lube Injector	230-228
♦ 25	Rear Rotor Bearing Retainer	402-118			Bottle of Oil	405-M01
26	Cylinder	407-3 231XP-3			Plastic Boot	231-P32
27	Cylinder Dowel	230-98			Nameplate	231-301
					Reverse Valve Bushing Arbor	403-100
					Hose Whip	R0-130

* Not illustrated.

♦ Indicates Tune-up Kit part.

▽ If you have an old-style one-piece Socket Retainer, order Part No. 231-425 as a replacement.

MAINTENANCE SECTION

PART NUMBER FOR ORDERING

PART NUMBER FOR ORDERING

*	Tune-up Kit (includes illustrated parts 3, 4, 11 [2], 25, 29, 32, 39, 44, 45 and non-illustrated parts 231-425 and R1-75)	231-TK2	Hammer Kit (includes illustrated parts 37 [2], 39, 41 [3] and 43) for standard length	231-THK1 231-THK2
*	Tune-up Kit (includes illustrated parts 3, 4, 11 [2], 13, 14, 23, 24, 25, 29, 32, 44, 45 and non-illustrated part R1-75)	231-TK3	for 2" extended length	

* Not illustrated.