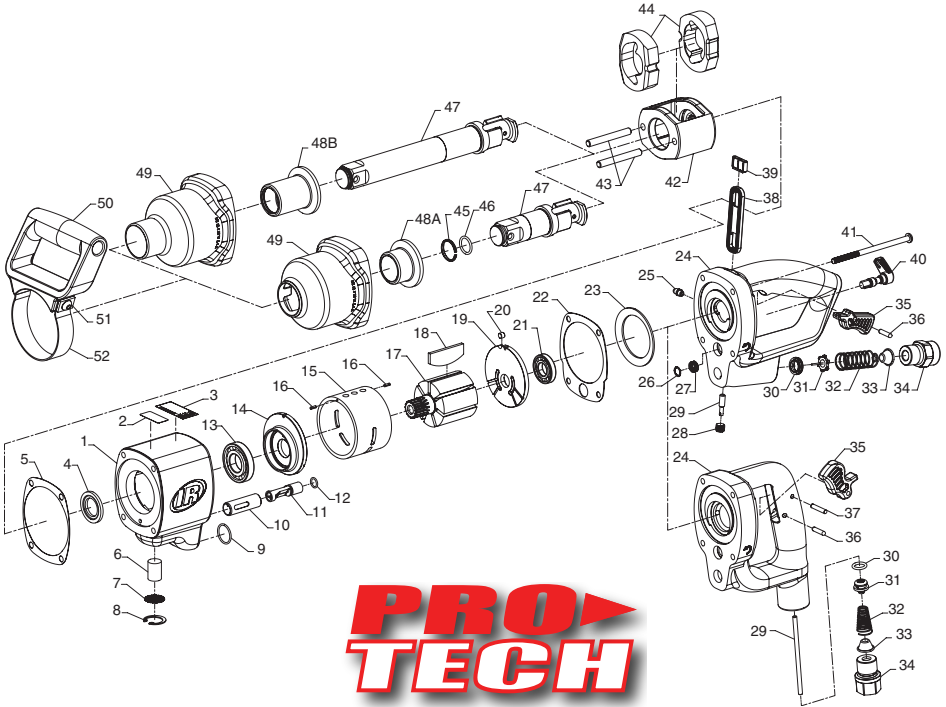


2190Ti Series Air Impact Wrench Exploded Diagram



PROTECH

Professional Technologies Sweden AB
Munkerödsvägen 3
444 32 STENUNGSUND
Tel 0303-89 135 - www.protech.nu

(Dwg. TP2223)

2190Ti Series Air Impact Wrench Parts List

Item	Part Description	Part Number	Item	Part Description	Part Number
*	Housing Assembly	2925B-A40	16	Dowel Pin, Cylinder (2)	---
1	Housing	---	16	Dowel Pin, Cylinder (2 Required)	JC3350-538
3	Warning Label	---	17	Rotor	2080-53
10	Bushing, Reverse Valve	---	18	Vane Pack (Set of 7)	2925-42-7
2	Information Label	1-800-LABEL	19	End Plate, Rear	2161-12
3	Warning Label	WARNING-2-99	20	Dowel Pin, Rear End Plate	2920-74
5	Gasket, Hammer Case	2161-36	21	Bearing, Rear End Plate	4E-510
*	Reverse Valve Assembly	2190-A329	22	Gasket, Handle	2161-739
11	Reverse Valve	---	23	Washer, Motor	2161-207
12	O-Ring, Reverse Valve	---	*	Handle Assembly (2190Ti, 2190Ti-6)	2190-A92
26	Snap Ring, Reverse Lever	---	*	Handle Assembly (2190DTI-6)	2925B-A92
27	Spring, Reverse Lever	---	24	Handle	---
40	Reverse Lever	---	9	O-Ring, Housing	---
13	Bearing, Front End Plate	834-24	22	Gasket, Hammer Case	---
14	End Plate, Front	2161-11	25	Grease Fitting	---
*	Cylinder Assembly	2925-A3	26	Snap Ring, Reverse Lever	---
15	Cylinder	---	27	Spring, Reverse Lever	---

* Not illustrated.

Item	Part Description	Part Number	Item	Part Description	Part Number
28	Pipe Plug (2190Ti, 2190Ti-6)	---	47	Anvil Assembly	---
29	Plunger Pin	---	5	Gasket, Hammer Case	---
30	Valve Seat	---	*	Socket Retainer Kit	2190-SRK1
31	Throttle Valve	---	45	Socket Retainer	---
32	Spring, Inlet	---	46	O-Ring, Socket Retainer	---
33	Air Strainer	---	*	Anvil Assembly (2190Ti)	2080-A726
34	Inlet Bushing Assembly	---	*	Anvil Assembly (2190Ti-6, 2190DTi-6)	2080-A826-6
35	Trigger	---	47	Anvil Assembly	---
36	Trigger Pin	---	46	O-Ring, Socket Retainer	---
37	Dowel Pin, Trigger (2190DTi-6)	---	45	Socket Retainer	---
38	Throttle Actuator (2190Ti, 2190Ti-6)	---	48A	Bushing, Hammer Case (2190Ti)	2161-641
39	Plug (2190Ti, 2190Ti-6)	---	48B	Bushing, Hammer Case (2190Ti-6, 2190DTi-6)	2080-641-6
*	Inlet Parts Kit (2190Ti, 2190Ti-6)	2190-K303	*	Hammer Case Assembly (2190Ti)	2190Ti-D727
*	Inlet Parts Kit (2190DTi-6)	2190D-K303	*	Hammer Case Assembly (2190Ti-6, 2190DTi-6)	2190Ti-6-D727
28	Plug (2190Ti, 2190Ti-6)	---	49	Hammer Case	---
29	Plunger Pin	---	48	Bushing, Hammer Case	---
30	Valve Seat	---	*	Dead Handle Assembly	2080-A48
31	Throttle Valve	---	50	Dead Handle	---
32	Spring, Inlet	---	51	Strap	---
33	Air Strainer	---	52	Cap Screw (2)	---
34	Inlet Bushing Assembly	---	*	Tune-Up Kit	2190-TK1
25	Grease Fitting	R1-188	5	Gasket, Hammer Case	---
*	Trigger Assembly (2190Ti, 2190Ti-6)	2080-A93	6	Silencer, Exhaust	---
*	Trigger Assembly (2190DTi-6)	2925B-93	7	Exhaust Deflector	---
35	Trigger	---	8	Snap Ring, Exhaust	---
36	Trigger Pin	---	9	O-Ring, Housing	---
37	Dowel Pin, Trigger (2190DTi-6)	---	12	O-Ring, Reverse Valve	---
38	Throttle Actuator (2190Ti, 2190Ti-6)	2080-94A	13	Bearing, Front End Plate	---
39	Plug (2190Ti, 2190Ti-6)	2080-95	18	Vane Pack (Set of 7)	---
41	Socket Head Capscrew (4)	2080-638	21	Bearing, Rear End Plate	---
*	Hammer Frame Kit	2190-K703	22	Gasket, Hammer Case	---
42	Hammer Frame	---	27	Spring, Reverse Lever	---
43	Hammer Pin (2)	---	45	Socket Retainer	---
4	Washer, Hammer Frame	---	46	O-Ring, Socket Retainer	---
5	Gasket, Hammer Case	---	*	Air Tool Oil (4oz. bottle)	1024
*	Hammer Kit (2190Ti)	2190-THK1	*	Grease (1-lb can)	105-1LB
*	Hammer Kit (2190Ti-6, 2190DTi-6)	2190-6-THK1	*	Grease (8-lb can)	105-8LB
44	Hammer (2)	---			

* Not illustrated.

Parts and Maintenance

When the life of the tool has expired, it is recommended that the tool be disassembled, degreased and parts be separated by material so that they can be recycled.

Tool repair and maintenance should only be carried out by an authorized Service Center. Refer all communications to the nearest **Ingersoll-Rand** Office or Distributor.

Related Documentation

For additional information refer to:
 Air Impact Wrench Product Safety Information Manual 04580916,
 Air Impact Wrench Product Information Manual 04584900.

Manuals can be downloaded from www.irttools.com.