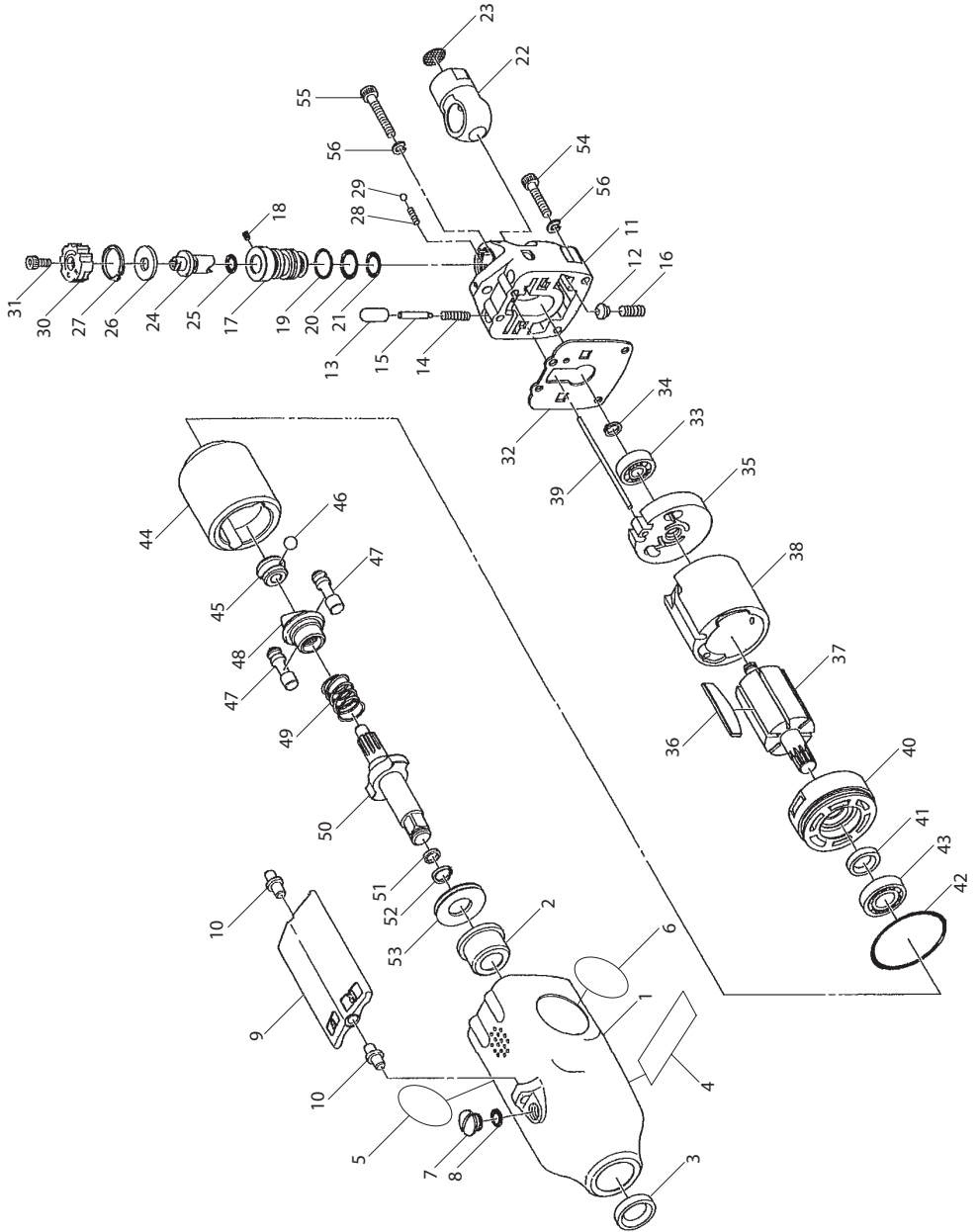


**Model 216B Air Impactool™ Exploded Diagram**



(Dwg. 46807392)

## Model 216B Air Impactool™ Parts List

Item	Part Description	Part Number	Item	Part Description	Part Number
	Motor Housing Assembly	216B-A40	27	Regulator Body Retaining Ring	216B-168
1	Motor Housing	---	28	Detent Spring	216B-251
2	Anvil Bushing	216B-641	29	Detent Ball	216B-263
3	Oil Seal	216B-272	30	Regulator Knob	216B-666
4	Warning Label	WARNING-27-99	31	Regulator Knob Retaining Screw	216B-665
5	Tool Label,Nameplate	216B-300	32	End Plate Gasket	216B-739
6	Tool Label, Logo	216B-301	33	Rear Rotor Bearing	216B-22
	Oil Plug Assembly	216B-A377	34	Retaining Ring	216B-118
7	Oil Plug	---	35	Rear End Plate	216B-12
8	Oil Plug Seal	216B-378	36	Vane Packet (set of 6 Vanes)	216B-42-6
	Throttle Assembly	216B-A273	37	Rotor	216B-53
9	Throttle lever	---	38	Cylinder	216B-3
10	Throttle Pin (2)	216B-15	39	Cylinder Dowel	216B-98
11	Valve Block	216B-50		Front End Plate Assembly	216B-A11
12	Throttle Valve	216B-302	40	Front End Plate	---
13	Throttle Valve Plunger (2)	216B-304	41	Oil Seal	216B-708
14	Throttle Centering Spring (2)	216B-55	42	O-ring	216B-213
15	Throttle Valve Stem (2)	216B-52	43	Front Rotor Bearing	216B-97
16	Throttle Valve Spring (2)	216B-51	44	Hammer Cage	216B-724
	Swivel Inlet Body Assembly	216B-A165	45	Spindle Guide	216B-630
17	Swivel Shaft	---	46	Cam Ball	216B-722
18	Roll Pin	216B-21	47	Hammer Pin (2)	216B-704
19	O-Ring	216B-337	48	Hammer Cam	216B-721
20	O-Ring	216B-338	49	Hammer Spring	216B-728
21	O-Ring	216B-339		Anvil Assembly	216B-A626
	Swivel Inlet Assembly	216B-A166	50	Anvil	---
22	Inlet Bushing	---	51	Socket Retainer O-ring	216B-425
23	Inlet Screen	216B-61	52	Socket Retainer	216B-426
	Regulator Body Assembly	216B-A249	53	Anvil Spacer	216B-706
24	Regulator	---	54	Cap Screw (short) (2)	216B-638
25	Regulator Body Seal	216B-379	55	Cap Screw (long) (2)	216B-636
26	Spacer	216B-208	56	Lockwasher (4)	216B-58

### Parts and Maintenance

When the life of the tool has expired, it is recommended that the tool be disassembled, degreased and parts be separated by material so that they can be recycled.

Tool repair and maintenance should only be carried out by an authorized Service Center.

Refer all communications to the nearest **Ingersoll Rand** Office or Distributor.

### Related Documentation

For additional information refer to:

Air Impact Wrench Product Safety Information Manual 04580916.

Air Impact Wrench Product Information Manual 46806618.

Manuals can be downloaded from [www.ingersollrandproducts.com](http://www.ingersollrandproducts.com).

