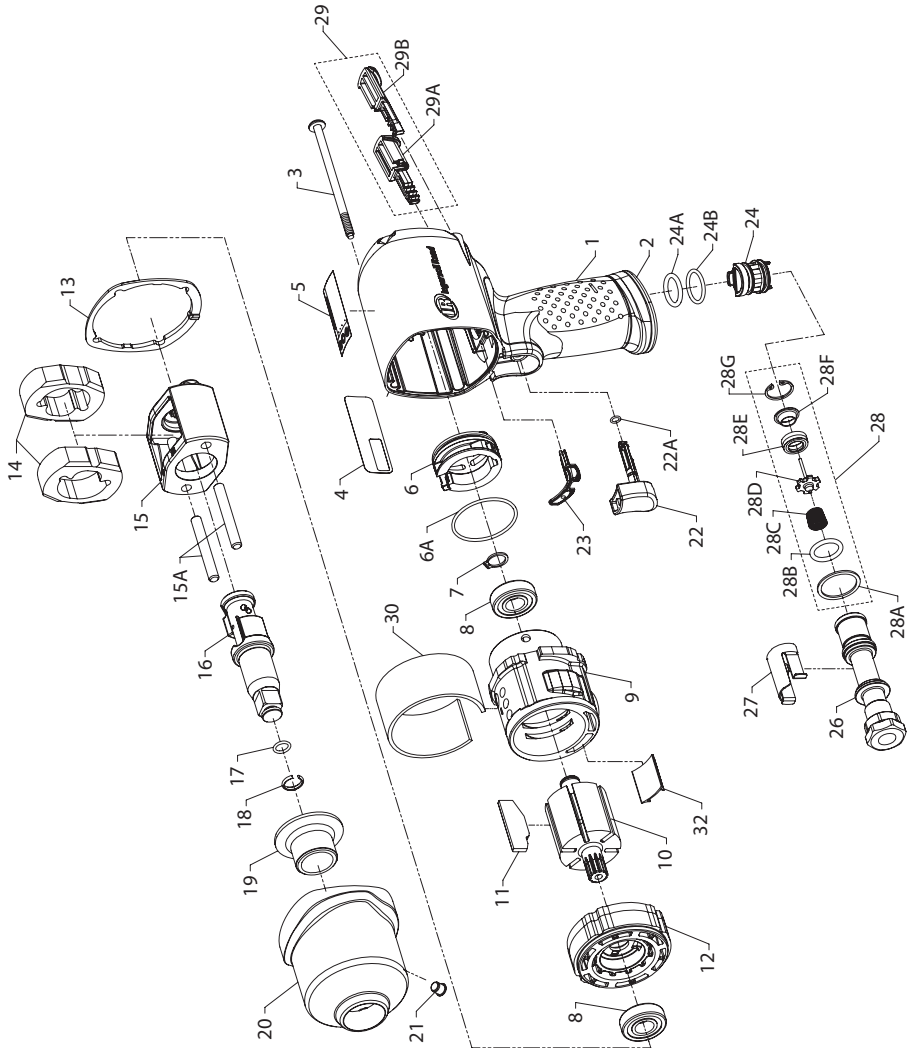


2135XP Air Impactool™ Exploded Diagram



(Dwg. 45609484)

**PRO**  
**TECH**

Professional Technologies Sweden AB  
Munkerödsvägen 3  
444 32 STENUNGSUND  
Tel 0303-89 135 - [www.protech.nu](http://www.protech.nu)

**IR** Ingersoll Rand



45608973  
Edition 3  
December 2008

## 2135XP Air Impactool™ Parts List

Item	Part Description	Part Number	Item	Part Description	Part Number
*	Housing Assembly	2135XP-A40	21	Grease Fitting	1305R-188
1	Housing	---	† *	Trigger Assembly	2135-D93B
*	Silencer (2)	---	22	Trigger	---
2	Exhaust Deflector	---	22A	O-Ring, Trigger	---
4	Information Label	---	† 23	Gasket	2131-283
5	Warning Label	---	*	Reverse Valve Assembly	2131-A329
23	Gasket	---	24	Reverse Valve Assembly	---
24	Reverse Valve Assembly	---	24A	O-Ring, Reverse Valve (top)	---
29	Button Kit	---	24B	O-Ring, Reverse Valve (bottom)	---
3	Screw, Hammer Case (4 required)	2135-638	26	Inlet Bushing Assembly (includes 27, 28)	2135-D565A
4	Information Label	2135XP-300	27	Inlet Clip	2131-57
5	Warning Label	WARNING-2-99	28	Inlet Parts Kit	2135-K303
*	Power Regulator Assembly	2135-D249A	28A	Washer	---
6	Power Regulator	---	28B	O-Ring, Seal	---
6A	O-Ring, Power Regulator	---	28C	Throttle Spring	---
7	Retaining Ring	2131-6	28D	Throttle Valve	---
8	Ball Bearing (2 required)	2131-97	28E	Valve Seat	---
9	Cylinder	2135-3	28F	Seat Support	---
10	Rotor	2131-53	28G	Retainer	---
† 11	Vane Pack (set of 6)	2131-42A-6	29	Button Kit	2135-K75
12	End Plate	2131-11	29A	Forward Button	---
† 13	Hammer Case Gasket	2135-36	29B	Reverse Button	---
*	Hammer Kit	2135-THK1	30	Exhaust Silencer	2131QT-311
13	Hammer Case Gasket	---	32	Inlet Baffle	2130-318
14	Hammer (2)	---	*	Tune-Up Kit	2135-TK2
15A	Hammer Pin (2)	---	6A	O-Ring, Power Regulator	---
16	Anvil Assembly	---	7	Retaining Ring	---
*	Kit Grease	---	8	Ball Bearing (2)	---
*	Hammer Frame Assembly Kit	2135-K703	11	Vane Pack	---
15	Hammer Frame	---	13	Hammer Case Gasket	---
15A	Hammer Pin (2)	---	17	O-Ring	---
*	Kit Grease	---	18	Retaining Clip	---
*	Anvil Assembly	231B-A626	22A	O-Ring, Trigger	---
16	Anvil	---	23	Gasket	---
17	O-Ring	---	24A	O-Ring, Reverse Valve (top)	---
18	Socket Retainer	---	24B	O-Ring, Reverse Valve (bottom)	---
† *	Socket Retainer Kit	2125QT-K425	28	Inlet Parts Kit	---
17	O-Ring, Anvil	---	*	Inlet Clip Removal Tool	2131-322
18	Socket Retainer	---	† *	Air Care Kit (grease gun, grease, oil)	115-LBK1
19	Bushing, Hammer Case	2135-941	*	Grease (replacement tube for - LBK1)	115-4T
*	Hammer Case Assembly	2135QI-D727A	*	Air Tool Oil (4 oz. Bottle)	10Z4
19	Bushing, Hammer Case	---	*	Grease (1 lb can)	105-1LB
20	Hammer Case	---	*	Grease (8 lb can)	105-8LB
21	Grease Fitting	---	*	Grease Gun	R000A2-228

\* Not illustrated.

† To keep downtime to a minimum, it is desirable to have certain repair parts on hand. We recommend that you stock one (pair or set) of each part indicated by a (†) for every four tools in service.

### Parts and Maintenance

When the life of the tool has expired, it is recommended that the tool be disassembled, degreased and parts be separated by material so that they can be recycled.

Tool repair and maintenance should only be carried out by an authorized Service Center.

Refer all communications to the nearest **Ingersoll Rand** Office or Distributor.

### Related Documentation

For additional information refer to:

Product Safety Information Manual 04580916.

Product Information Manual 45604196.

Manuals can be downloaded from [www.irtools.com](http://www.irtools.com).



[www.irtools.com](http://www.irtools.com)  
© 2008 **Ingersoll Rand** Company

**45608973**  
Edition 3  
December 2008