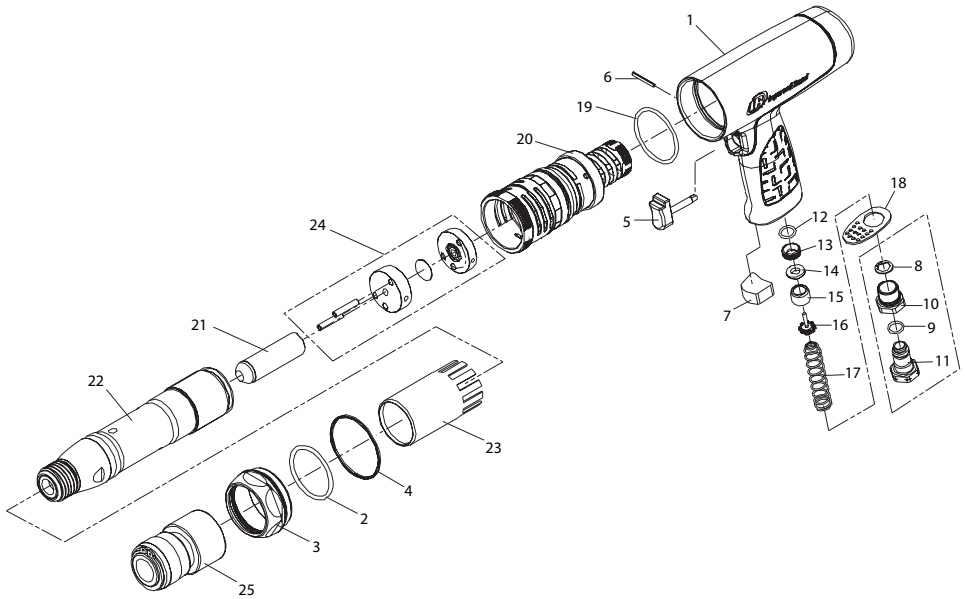


118MAX, 118MAXH Air Hammer - Exploded View



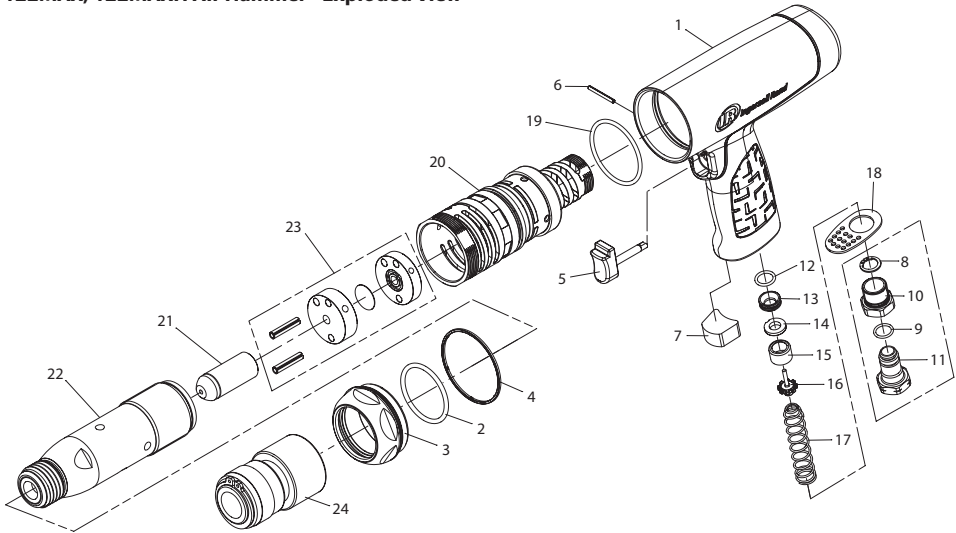
(Dwg. 47147046)

118MAX, 118MAXH Air Hammer - Parts List

Item	Part Description	Part Number	Item	Part Description	Part Number
1	Housing	122MAX-59	19	O - Ring	122MAX-282
2	O - Ring	118MAX-65	20	Rear Cushion	122MAX-304
3	Front Cap	118MAX-27	21	Main Piston	118MAX-20
4	RED Gasket	122MAX-36	22	Cylinder	
5	Trigger Unit	122MAX-93		for Model 118MAX	118MAX-6
6	Spring Pin	122MAX-121	for Model 118MAXH	118MAXH-6	
7	Muffler	122MAX-311	23	Dusty Cover	118MAX-23
	Air Inlet Assembly	529-565X	24	Valve Assembly	122MAX-4A
8	Ex-concentric Ring	---		Valve Unit	---
9	O - Ring	---		Valve Seal	---
10	Air Inlet	---		Valve Unit	---
11	Swivel Adapter	---		Spring Pin (2)	---
12	O - Ring	122MAX-168	25	Quick Change Retainer	
13	Insert Bushing	122MAX-303		for model 118MAX	9512
14	Seal	122MAX-210	for model 118MAXH	116H-K5	
15	Bushing	122MAX-503	*26	Specification Label	118MAX-300
16	Tip Valve	122MAX-302	*27	Warning label	122MAX-99
17	Valve Spring	122MAX-51	*28	Chisel Set	9500
18	Deflector	122MAX-123			

* Not Illustrated

122MAX, 122MAXH Air Hammer - Exploded View



(Dwg. 47147053)

122MAX, 122MAXH Air Hammer - Parts List

Item	Part Description	Part Number	Item	Part Description	Part Number
1	Housing	122MAX-59	18	Deflector	122MAX-123
2	O - Ring	122MAX-65	19	O - Ring	122MAX-282
3	Front Cap	122MAX-27	20	Rear Cushion	122MAX-304
4	RED Gasket	122MAX-36	21	Main Piston	122MAX-20
5	Trigger Unit	122MAX-93	22	Cylinder	
6	Spring Pin	122MAX-121		for Model 122MAX	122MAX-6
7	Muffer	122MAX-311		for Model 122MAXH	122MAXH-6
	Air Inlet Assembly	529-565X	23	Valve Assembly	122MAX-4A
8	Ex-concentric Ring	---		Valve Unit	---
9	O - Ring	---		Valve Seal	---
10	Air Inlet	---		Valve Unit	---
11	Swivel Adapter	---		Spring Pin (2)	---
12	O - Ring	122MAX-168	24	Quick Change Retainer	
13	Insert Bushing	122MAX-303		for model 122MAX	9512
14	Seal	122MAX-210		for model 122MAXH	116H-K5
15	Bushing	122MAX-503	*25	Specification Label	122MAX-300
16	Tip Valve	122MAX-302	*26	Warning Label	122MAX-99
17	Valve Spring	122MAX-51	*27	Chisel Set	9500

* Not Illustrated

Parts and Maintenance

When the life of the tool has expired, it is recommended that the tool be disassembled, degreased and parts be separated by material so that they can be recycled.

Tool repair and maintenance should only be carried out by an authorized Service Center.

Refer all communications to the nearest **Ingersoll Rand** Office or Distributor.

Related Documentation

For additional information refer to:

Product Safety Information Manual 04581450.

Product Information Manual 46816427.

Manuals can be downloaded from www.ingersollrandproducts.com.



www.ingersollrandproducts.com
© 2011 **Ingersoll-Rand** Company

47125943
Edition 2
November 2011