



80153232  
Edition 7  
September 2008

# Air Grinder, Die Grinder and Sander

## G3 Series (Angle)

---

## Parts Information



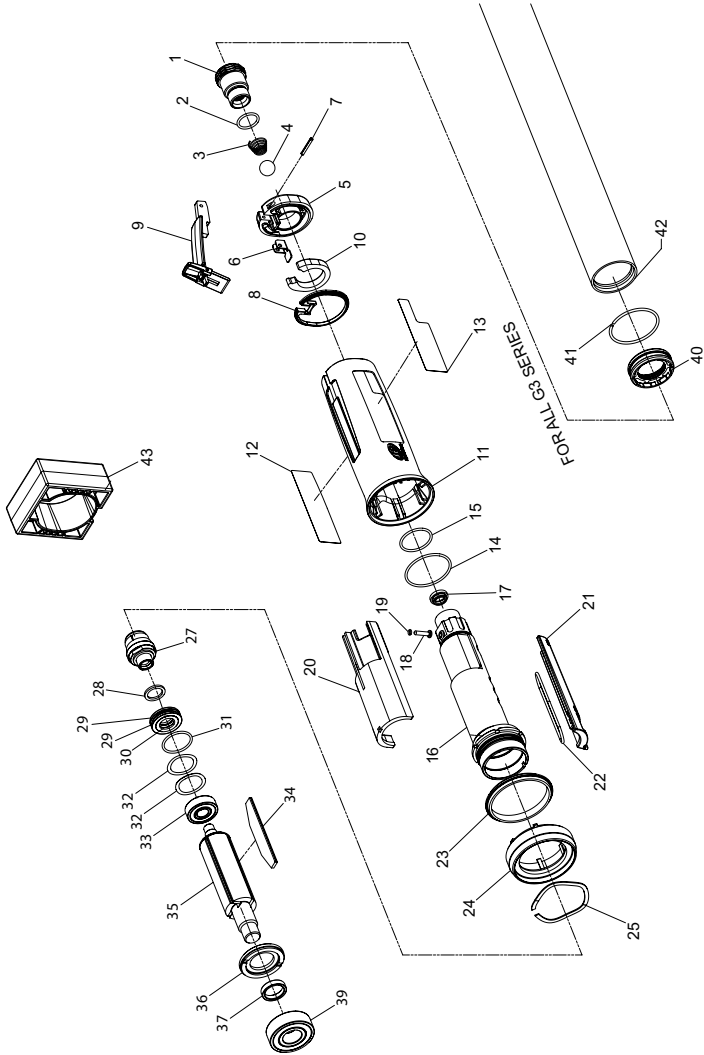
Professional Technologies Sweden AB  
Munkerödsvägen 3  
444 32 STENUNGSUND  
Tel 0303-89 135 - [www.protech.nu](http://www.protech.nu)



Save These Instructions

 **Ingersoll Rand**

G3 Series (Angle) Air Grinder, Die Grinder and Sander Exploded Diagram - Body



(Dwg. 16577785)

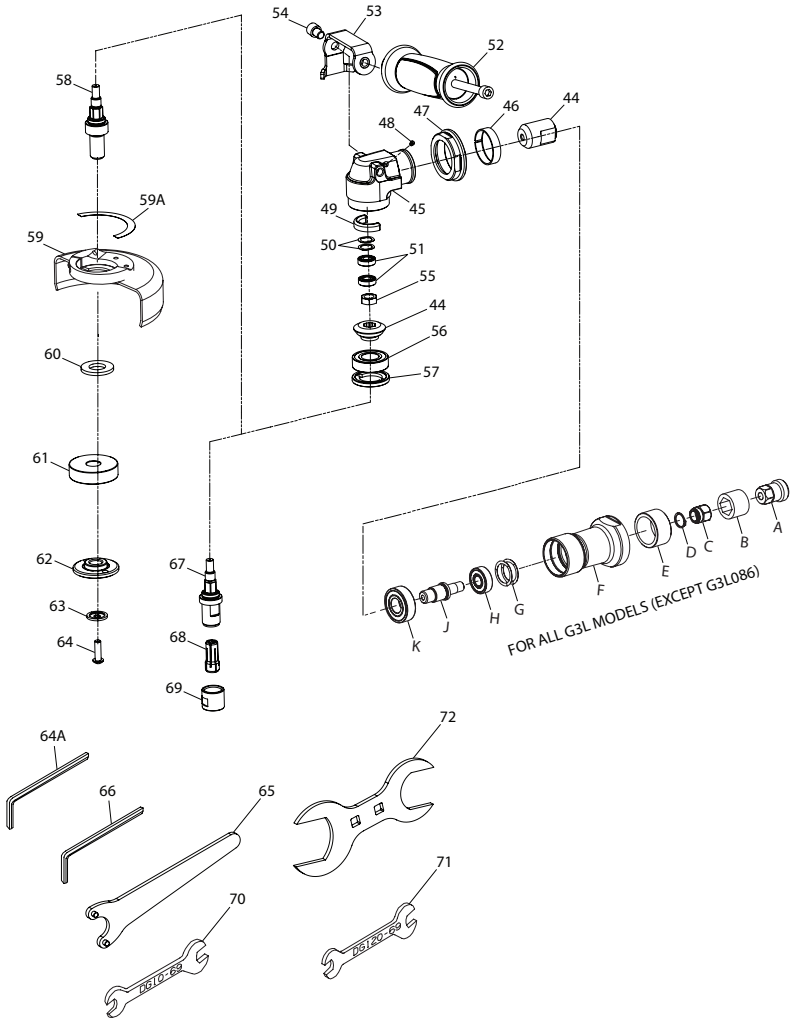
### G3 Series (Angle) Air Grinder, Die Grinder and Sander Parts List - Body

Item	Part Description	Part Number	Item	Part Description	Part Number
	<b>Common parts for all G3 models</b>		23	Front Housing Seal	AG3-283
1	Inlet Assembly	AG3-A465	24	Front Housing Cap	AG3-202
*	Inlet Screen	R1602-61	25	Flange Clamp	10560944
2	Inlet Seal	85H-167	27	18.0 K Controller Assembly for 120 models	AG3-422-A18
3	Ball Valve Spring	AG3-51		15.0 K Controller Assembly for 100 models	AG3-422-A15
4	Ball	D10-280		14.2 K Controller Assembly for 086 models	AG3-422-A14.2
5	Rear Exhaust Diffuser	AG3-123	28	Felt Seal	AG3-31A
6	Lever Support	AG3-89	29	Seal Carrier (2)	AG3-26
7	Throttle Lever Pin	61H-120	30	Ring Seal	AG3-26-4
8	Rear Exhaust Diffuser Gasket	AG3-223	31	O-ring	AD100-18
9	Lever Assembly	AG3-A400	32	Rear Rotor Bearing Spacer (2)	80103674
*	Lever	--	33	Rear Rotor Bearing	80146798
*	Lock Spring	45778	34	Vane Pack	AG3-42-4
*	Lock Pin	D92-152	35	Rotor	AG3-53-4A
*	Lever Lock	--	36	Front End Plate	AG3-11
10	Rear Exhaust Diffuser Muffler	AG3-311B	37	Front End Plate Spacer	AG3-65
11	Motor Housing Assembly	AG3-A40	39	Front Rotor Bearing	AG3-24
12	Warning Label	AG3-99	*	Exhaust Hose Adapter Kit	AG3-K284
13	Model Label	AG3-301	40	Adapter	LG2-184
14	Front Cylinder O-Ring	80152762	41	Retainer	6WT-203
15	Rear Cylinder O-Ring	16570756	42	Hose	AG3-284
16	Cylinder Assembly	AG3-A3	43	Clamp Tool	AG3-598
*	Throttle Bushing	--	*	Tune Up Kit	AG3-TK1
17	Ball Valve Seat	--		Includes Part Number (2, 3, 4, 8, 10, 14, 15, 18, 23, 24, 25, 29, 30, 31, 32, 33, 34 & 39 )	
18	Throttle Pin Assembly	AG2-A161	*	Rotor Kit	AG3-422-A18 AG3-A53-4A
19	Throttle Pin O-Ring	16570806		Includes Part Number (32, 33, 34, 35, 36, 37 & 39)	
20	Flow Guide	AG3-200			
21	Intake Cover Assembly	AG3-A144			
22	Intake Cover O-Ring	80150881			

\* Not Illustrated.

**G3A and G3L Models (Except G3L086) (Angle) Air Grinder and Die Grinder Exploded Diagram - End**

FOR ALL G3A MODELS

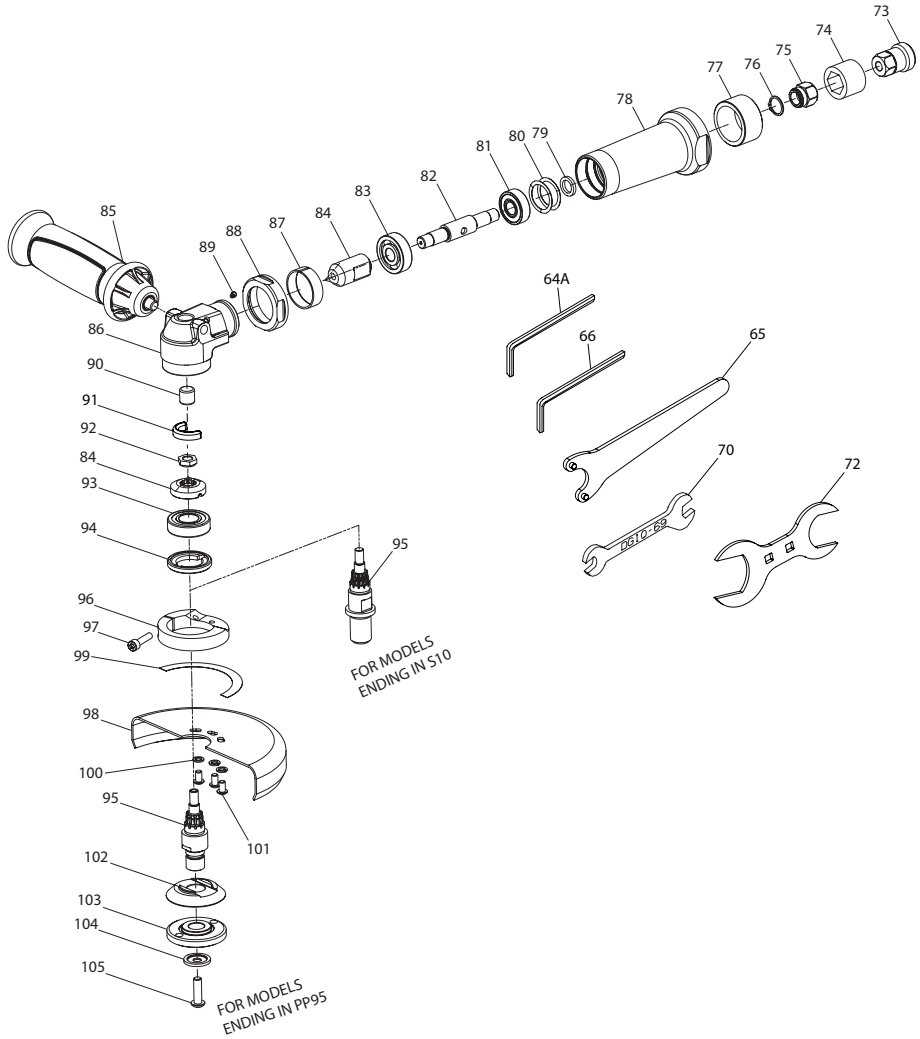


(Dwg. 16577843-1)

**G3A and G3L Models (Except G3L086) (Angle) Air Grinder and Die Grinder Parts List - End**

Item	Part Description	Part Number	Item	Part Description	Part Number
<b>Additional parts for all G3A models</b>			59	Wheel Guard Replacement Kits	
44	Bevel Pinion and Bevel Gear (sold only as a matched set)	AG3-A552-1.5		for models ending in P1045, P945, P945A	AG3-A106-45
45	Angle Housing Assembly	AG3-A5505		for models ending in P105, P95, P95A	AG3-A106-5
46	Clamp Spacer	AG3-46		for models ending in P106, P96, P96A	AG3-A106-6
47	Clamp Nut	AG3-27		Guard Warning Label	AG2-99G
48	Grease Fitting	D0F9-879	59A	Flange Spacer	R3F-286
49	Wick	AG3-560A	60	Wheel Flange	
50	Washer (2)	DG20-278	61	for models ending in A, AV	AG3-713M
51	Upper Arbor Bearing (2)	80123136		for models ending in P1045, P105, P106	AG3-337-5
	Handle Assy	AG3-A48		for models ending in P945, P95, P96	AG3-337-5M
52	Handle	AG2-48		Flange Nut	
53	Bracket	AG3-766	62	for models ending in P1045, P105, P106	AG3-338-5
54	Screw	80217243		for all other models	AG3-338-5M
55	Bevel Gear Nut	95085916	63	Wheel Retaining Washer	LG2-218
56	Lower Arbor Bearing	AG3-105	64	Wheel Retaining Screw	LG2-219M
57	Arbor Bearing Cap	AG3-18	64A	Hex Key (4mm)	AG2-562
<b>Additional parts for all G3L models (Except G3L086)</b>			<b>Accessories for all wheel models</b>		
A	Bearing Nut	AG3-85	65	Flange Nut Wrench	AG3-26M
B	Arbor Coupling	61H-304	66	Arbor Wrench	AG230-340M
C	Bearing Nut Assembly	61H-A85	<b>Additional parts for models ending in G4 and G4M</b>		
D	Retaining Ring	P4800-119	67	Collet Arbor	AG3-4-G4
E	Sleeve	AG3-176	68	Collet	
F	Extension Housing	AG3-20L		for models ending in G4M	G-160HD-700-1/4
G	Spring Washer (2)	7AH-278		for models ending in G4M	G160HD-700-6MM
H	Bearing	WFS182-22	69	Collet Nut	AG3-4-95DG120-699A
J	Extension Arbor	AG3-4	<b>Accessories for models ending in G4 and G4M</b>		
K	Bearing	AG3-24	70	Collet body Wrench	DG10-69
<b>Additional parts for all G3A wheel models</b>			71	Collet nut Wrench	DG120-69
58	Arbor		<b>Accessories for all models</b>		
	for models ending in P1045, P105, P106	AG3-4-105	72	Clamp Nut Wrench	AG3-253
	for models ending in P945, P95, P96	AG3-4-95			

G3L086 Series (Angle) Air Grinder and Sander Exploded Diagram - End



(Dwg. 10561439)

## G3L086 Series (Angle) Air Grinder and Sander Parts List - End

Item	Part Description	Part Number	Item	Part Description	Part Number
	<b>Additional parts for all G3L086 models</b>			<b>Additional parts for all G3L086 wheel models</b>	
73	Bearing Nut	AG3-85	96	Guard Adapter Assembly	AG2-A710
74	Arbor Coupling	61H-304	97	Guard Adapter Screw	95223151
75	Bearing Nut Assembly	61H-A85		Wheel Guard Assembly	LA3-A106-5-EU
76	Retaining Ring	R4800-119	98	Wheel Guard	LA3-106-5-EU
77	Sleeve	AG3-176	99	Guard Warning Label	AG2-99G
78	Extension Housing	AG3-20	100	Guard Lock Washer (3)	R2-320-10
79	Spacer	80219496	101	Guard Mounting Screw (3)	AG31-667-4
80	Washer (2)	7AH-278	102	Wheel Flange	LG3-337-45M
81	Bearing	WFS182-22	103	Flange Nut	AG230-338-45M
82	Extension Arbor	LA3-4	104	Wheel Retaining Screw Washer	LG2-218
83	Bearing	LG2-24	105	Wheel Retaining Screw	LG2-219M
84	Bevel Gear Assembly	LA2-A552-1.7		<b>Accessories For all G3L wheel models</b>	
85	Handle	AG2-48	65	Flange Nut Wrench	AG3-26M
86	Angle Head Assembly	AG2-A5505	66	Arbor Wrench	AG230-340M
87	Clamp Spacer	LA2-46		<b>Accessories For all G3L Sanders</b>	
88	Clamp Nut	LG2-27	70	Arbor Wrench	DG10-69
89	Grease Fitting	D0F9-879		<b>Accessories for all models</b>	
90	Upper Arbor Bearing	AG210-693	72	Clamp Nut Wrench	AG3-253
91	Wick	LA2-560			
92	Bevel Gear Locknut	LA2-578			
93	Front Arbor Bearing	LA2-593			
94	Arbor Bearing Cap	AG20-531			
95	Arbor				
	for models ending in S10	LA52-204-P10			
	for models ending in PP95	AG230-4-945			

### Parts and Maintenance

When the life of the tool has expired, it is recommended that the tool be disassembled, degreased and parts be separated by material so that they can be recycled.

Tool repair and maintenance should only be carried out by an authorized Service Center.

Refer all communications to the nearest **Ingersoll Rand** Office or Distributor.

### Related Documentation

For additional information refer to:

Product Safety Information Manual 04584959, 04580288 and 04580387.

Product Information Manual 80153208, 80153190 and 80223241.

Manuals can be downloaded from [www.irttools.com](http://www.irttools.com).

[www.irttools.com](http://www.irttools.com)

© 2008 *Ingersoll Rand* Company

