



80153224
Edition 7
December 2006

Air Grinder and Die Grinder

G3 Series (*Horizontal*)

Parts Information

PRO ▶
TECH

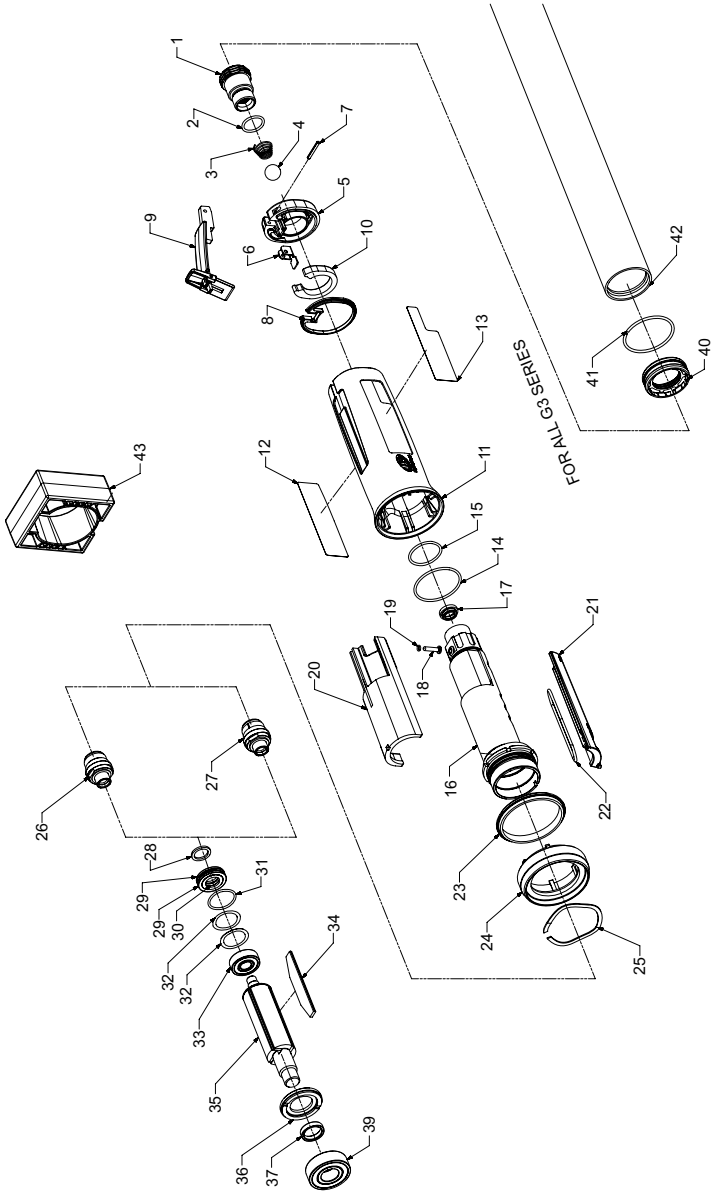
Professional Technologies Sweden AB
Munkerödsvägen 3
444 32 STENUNGSUND
Tel 0303-89 135 - www.protech.nu



Save These Instructions

 **Ingersoll Rand**

G3 Series Air Grinder and Die Grinder (Horizontal) Exploded Diagram - Body



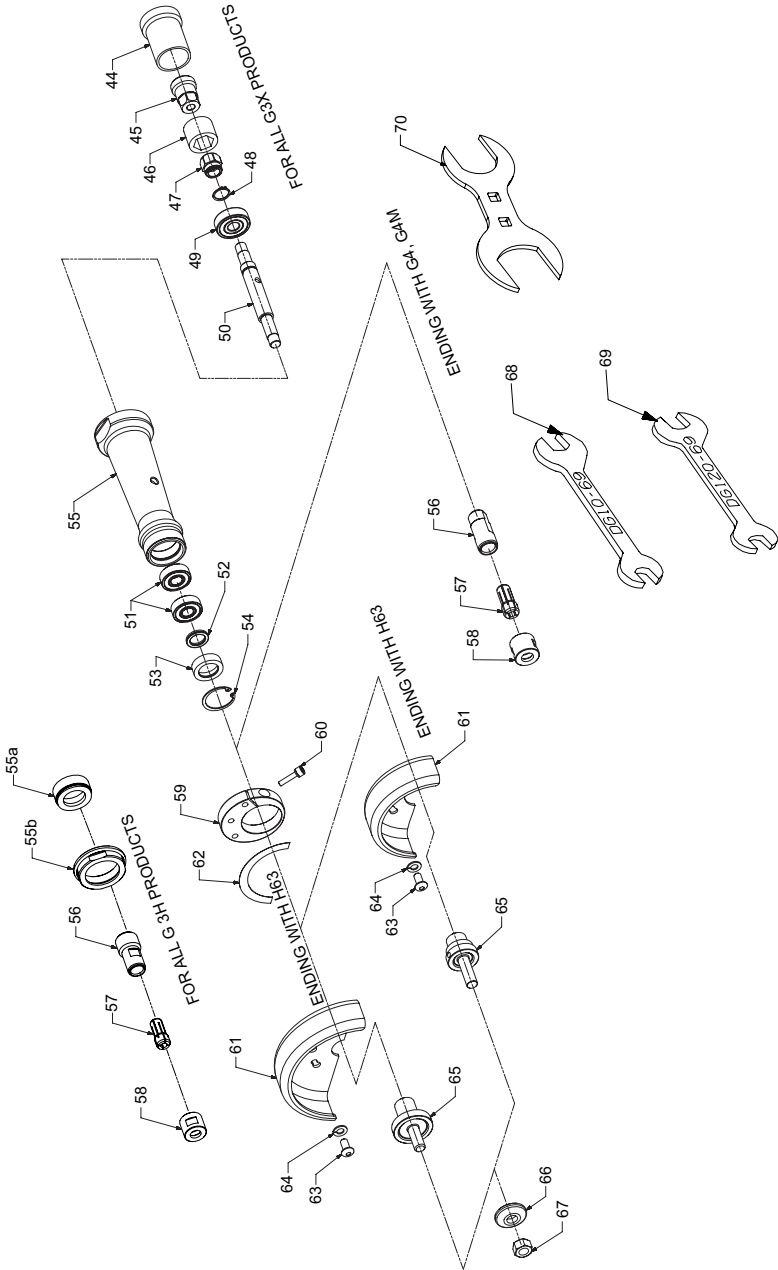
(Dwg. 16577785)

G3 Series Air Grinder and Die Grinder (Horizontal) Parts List - Body

Item	Part Description	Part Number	Item	Part Description	Part Number
Common parts for ALL G3X Grinders					
1	Inlet Assembly	AG3-A465	25	Flange Clamp	10560944
*	Inlet Screen	R1602-61	26	Controller Assembly for 150 models	AG3-422-A15
2	Inlet Seal	85H-167			
3	Ball Valve Spring	AG3-51	27	Controller Assembly for 180 models	AG3-422-A18
4	Ball	D10-280			
5	Rear Exhaust Diffuser	AG3-123	28	Felt Seal	AG3-31A
6	Lever Support	AG3-89	29	Seal Carrier (2)	AG3-26
7	Throttle Lever Pin	61H-120	30	Ring Seal	AG3-26-4
8	Rear Exhaust Diffuser Gasket	AG3-223	31	O-ring	AD100-18
9	Lever Assembly	AG3-A400	32	Rear Rotor Bearing Spacer (2)	80103674
*	Lever	---	33	Rear Rotor Bearing	80146798
*	Lock Spring	45778	34	Vane Pack	AG3-42-4
*	Lock Pin	D92-152	35	Rotor	AG3-53-4A
*	Lever Lock	---	36	Front End Plate	AG3-11
10	Rear Exhaust Diffuser Muffler	AG3-311B	37	Front End Plate Spacer	AG3-65
11	Motor Housing Assembly	AG3-A40	39	Front Rotor Bearing	AG3-24
12	Warning Label	AG3-99	*	Exhaust Hose Adapter Kit	AG3-K284
13	Model Label	AG3-301	40	Adapter	LG2-184
14	Front Cylinder O-Ring	80152762	41	Retainer	6WT-203
15	Rear Cylinder O-Ring	16570756	42	Hose	AG3-284
16	Cylinder Assembly	AG3-A3	43	Clamp Tool	AG3-598
*	Throttle Bushing	---	*	Tune Up Kit Includes Part Number (2, 3, 4, 8, 10, 14, 15, 18, 23, 24, 25, 29, 30, 31, 32, 33, 34, & 39)	AG3-TK1
17	Ball Valve Seat	---			
18	Throttle Pin Assembly	AG2-A161			
19	Throttle Pin O-Ring	16570806			
20	Flow Guide	AG3-200	*	Rotor Kit Includes Part Number (32, 33, 34, 35, 36, 37 & 39)	AG3-A53-4A
21	Intake Cover Assembly	AG3-A144			
22	Intake Cover O-Ring	80150881			
23	Front Housing Seal	AG3-283			
24	Front Housing Cap	AG3-202			

* Not illustrated.

G3 Series Air Grinder and Die Grinder (Horizontal) Exploded Diagram - End



(Dwg. 16577801-3)

G3 Series Air Grinder and Die Grinder (Horizontal) Parts List- End

Item	Part Description	Part Number	Item	Part Description	Part Number
	Additional parts for all G3X models			Additional parts for all wheel models	
44	Extension Spacer	AG3-276	59	Guard Adapter Assembly	LE2-A710
45	Bearing Nut	AG3-85	60	Guard Adapter Screw	231-638
46	Arbor Coupling	61H-304	61	Wheel Guard Assembly	
47	Bearing Nut	61H-A85		for models ending in H63 (3")	LE2-A931
48	Retaining Ring	R4800-119		for models ending in H64 (4")	LE2-A941
49	Rear Arbor Bearing	LE2-22	62	Guard Warning Label	AG2-99G
50	Arbor	LE2-4-5SL	63	Guard Mounting Screw (3)	LE2-667
51	Front Arbor Bearing (2)	WFS182-22	64	Mounting Screw Washer (3)	L01-67
52	Seal Assembly	61H-A32	65	Straight Wheel Adapter	
53	Dust Shield	LE2-200		for models ending in H63 (3")	LE2-4-H63
54	Retaining Ring	W22-118		for models ending in H64 (4")	LE3-4-H64
55	Extension Housing	AG3-20-5	66	Wheel Flange	DEG31-16
	Additional parts for all G3H models		67	Flange Nut	23-697
55a	Collet Spacer	AG3-46-2		Accessories for models ending in G4 and G4M	
55b	Front Nut	AG3-27	68	Collet Body Wrench	DG10-69
	Additional parts for models ending in G4 and G4M		69	Collet Nut Wrench	DG120-69
56	Collet Body			Accessories for all models	
	for G3X models	LG2-290	70	Clamp Nut Wrench	AG3-253
	for G3H models	AG3-290			
57	Collet				
	for models ending in G4	G160HD-700-1/4			
	for models ending in G4M	G160HD-700-6MM			
58	Collet Nut	DG120-699A			

Parts and Maintenance

When the life of the tool has expired, it is recommended that the tool be disassembled, degreased and parts be separated by material so that they can be recycled.

Tool repair and maintenance should only be carried out by an authorized Service Center. Refer all communications to the nearest **Ingersoll Rand** Office or Distributor.

Related Documentation

For additional information refer to:
 Air Grinder Product Safety Information Manual 04584959.
 Air Die Grinder Product Safety Information Manual 04580288.
 Air Grinder Product Information Manual 80153208.
 Air Die Grinder Product Information Manual 80153190.

Manuals can be downloaded from www.irtools.com.

Notes

Notes

www.irtools.com

© 2006 Ingersoll Rand Company

