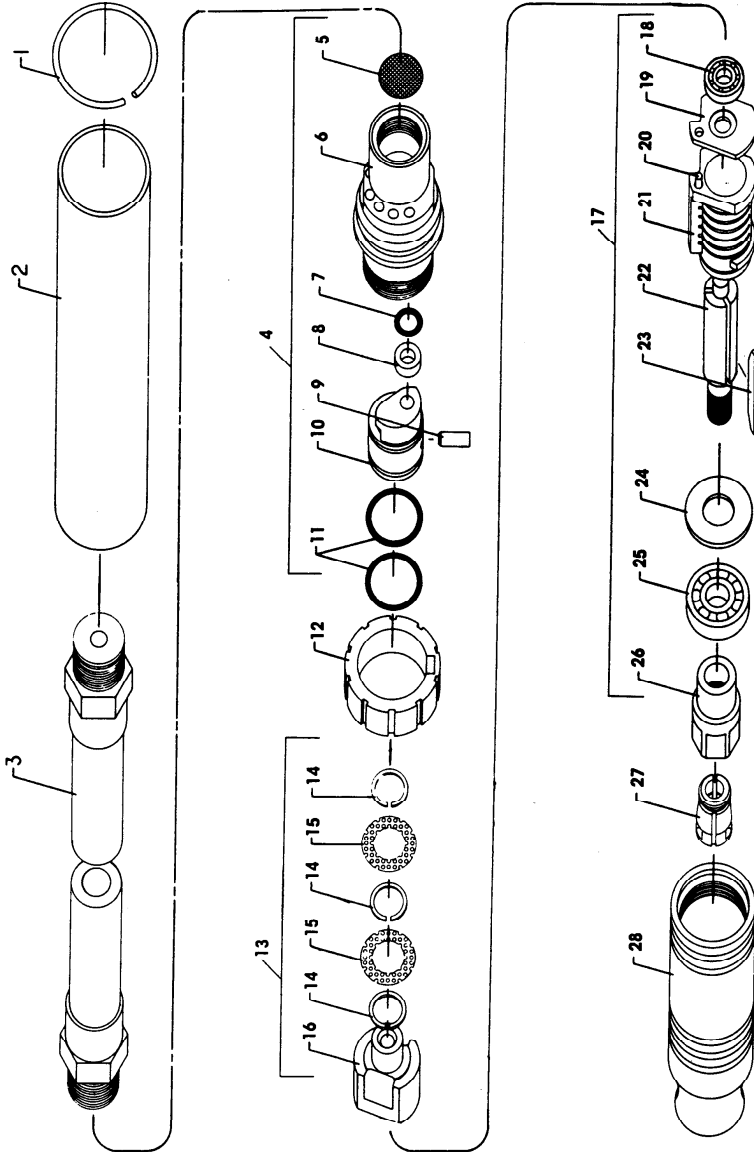


DG60G2 Air Pencil Grinder Exploded Diagram



(Dwg. TPT-1018)

DG60G2 Air Pencil Grinder Parts List

Item	Part Description	Part Number	Item	Part Description	Part Number
1	Snap Ring	37272	19	End Plate	47564
2	Exhaust Sleeve	47571-1-F	20	Pin	Y124-31
3	Hose Assembly	39907-7	21	Cylinder Assembly (includes item 20)	47573
4	Valve Assembly	47574	22	Rotor	04334884
5	Screen	47577	23	Blade (3 req'd)	46102
6	Valve Body	47569	24	End Plate	47560
7	O-Ring	47615	25	Ball Bearing	47559
8	Bushing	47572	26	Collet Body	47570
9	Plug	31637	27	Insert	
10	Valve	47563		1/8" capacity	47568-1
11	O-Ring (2 req'd)	47576		3 mm capacity	47568-2
12	Throttle	47567	28	Motor Housing	
13	Block Assembly	46619		for standard models	04562187
14	Snap Ring (3 req'd)	Y110-2		for "-EU" models	04613733
15	Screen (2 req'd)	47497	*	Sleeve	47550
16	Air Block	47565	*	Warning Labels	
17	Motor Assembly	04614921		for standard models	48176-1
18	Ball Bearing	46110		for "-EU" models	49883

* Not Illustrated

Parts and Maintenance

When the life of the tool has expired, it is recommended that the tool be disassembled, degreased and parts be separated by material so that they can be recycled.

Tool repair and maintenance should only be carried out by an authorized Service Center.
Refer all communications to the nearest **Ingersoll-Rand** Office or Distributor.

Related Documentation

For additional information refer to:

Product Safety Information Manual 04580288.
Product Information Manual 04585170.
Maintenance Information Manual 16574949.

Manuals can be downloaded from www.irtools.com.