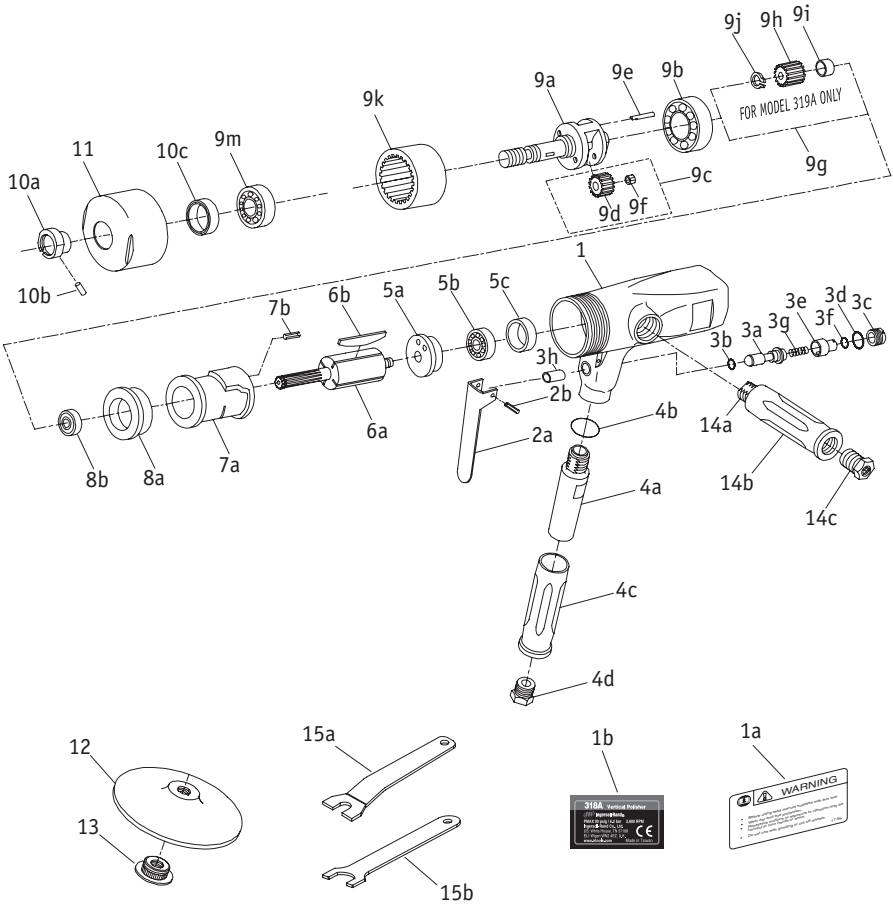


318A and 319A Vertical Air Sander and Polisher Exploded Diagram



(Dwg. TP2245)
(Dwg. TP2245)

PRO TECH

Professional Technologies Sweden AB
Munkerödsvägen 3
444 32 STENUNGSUND
Tel 0303-89 135 - www.protech.nu



www.irtools.com
© 2005 Ingersoll-Rand Company

Form 16573982
Edition 2
May 2005

318A and 319A Vertical Air Sander and Polisher Parts List

Item	Part Description	Part Number	Item	Part Description	Part Number
1	Motor Housing Assembly	---	8	Front End Plate Assembly	318A-A11
	for 318A	318A-A40	8a	Front End Plate	318A-11
	for 319A	319A-A40	8b	Front Rotor Bearing	318A-22
	Motor Housing	---	9	Spindle Assembly	---
	Housing Plug	---		for 318A	318A-A591
1a	Warning Label	WARNING-17-99		for 319A	319A-A591
1b	Nameplate	---	9a	Spindle	---
	for 318A	318A-301	9b	Spindle Bearing	318A-593
	for 319A	319A-301	9c	Planet Gear Assembly	---
2	Lever Assembly	318A-A273		for 318A	318A-A10
2a	Throttle Lever	---		for 319A	319A-A10
2b	Throttle Lever Pin	---	9d	Planet Gear (2)	---
3	Throttle Assembly	318A-A302		for 318A	318A-10
3a	Throttle Valve	---		for 319A	319A-10
3b	Throttle Valve Seal	---	9e	Planet Gear Pin (2)	---
3c	Throttle Valve Cap	---	9f	Needle Bearing (22)	---
3d	Valve Cap Seal	---	9g	Pinion Gear Assembly	319A-A551
3e	Speed Regulator	---	9h	Pinion Gear	319A-551
3f	Regulator Seal	---	9i	Pinion Spacer	---
3g	Throttle Valve Spring	---	9j	Pinion Retaining Rin	---
3h	Throttle Bushing	---	9k	Ring Gear	318A-37
4	Inlet Handle Assembly	318A-A169	9m	Front Arbor Bearing	318A-509
4a	Inlet Handle	---	10	Clamp Nut Assembly	318A-A86
4b	Inlet Handle Seal	---	10a	Clamp Nut	---
4c	Handle Grip	---	10b	Spindle Retaining Pin	---
4d	Inlet Bushing	318A-465	10c	Oil Seal	---
5	Rear End Plate Assembly	318A-A12	11	Housing Nut	318A-200
5a	Rear End Plate	---	12	Pad	318A-A825
5b	Rear Rotor Bearing	318A-97	13	Pad Nut	318A-226
5c	Rear Bearing Cap	---	14	Exhaust Handle Assembly	318A-A171
6	Rotor Assembly	318A-A53	14a	Exhaust Handle	---
6a	Rotor	---	14b	Handle Grip	---
6b	Vane (set of 4)	318A-42-4	14c	Exhaust Deflector	318A-312
7	Cylinder Assembly	318A-A3	15	Wrench Kit	318A-A69
7a	Cylinder	---	15a	Disc Wrench	---
7b	Cylinder Pin	---	15b	Arbor Wrench	---

Parts and Maintenance

When the life of the tool has expired, it is recommended that the tool be disassembled, degreased and parts be separated by material so that they can be recycled.

Tool repair and maintenance should only be carried out by an authorized Service Center. Refer all communications to the nearest **Ingersoll-Rand** Office or Distributor.

Related Documentation

For additional information refer to:
 Rotary Air Sander, Polisher and Buffer Product Safety Information Manual 04580387,
 Rotary Air Sander, Polisher and Buffer Product Information Manual 04580577.

Manuals can be downloaded from www.irttools.com.