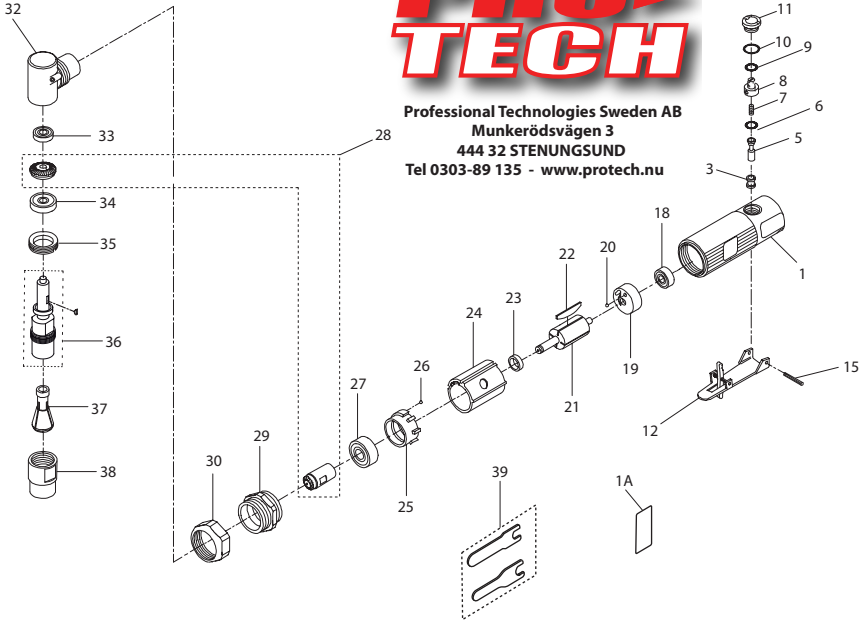


## 301 and 301-EU Air Die Grinder Exploded Diagram

# PRO TECH

Professional Technologies Sweden AB  
Munkerödsvägen 3  
444 32 STENUNGSUND  
Tel 0303-89 135 - www.protech.nu



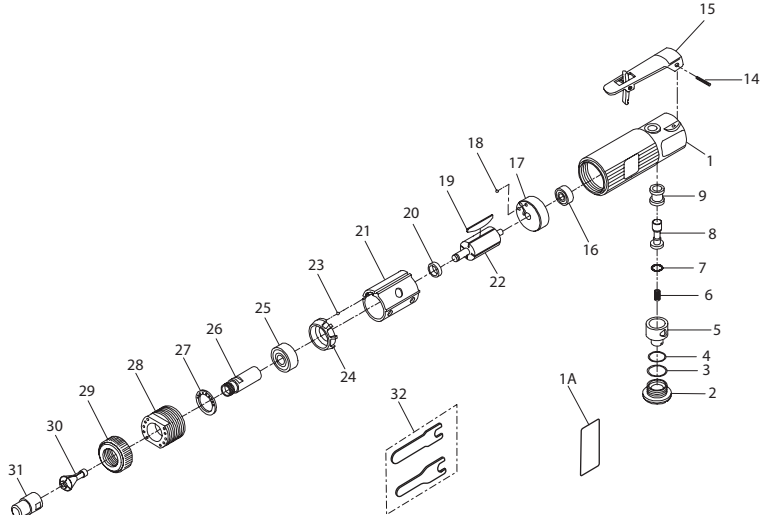
(Dwg. TPB1003-3)

## 301 and 301-EU Air Die Grinder Parts List

Item	Part Description	Part Number	Item	Part Description	Part Number
	Motor Housing Assembly		21	Rotor	301-53
	for 301	301-A40	22	Vane (set of 4)	301-42-4
	for 301-EU	301-EU-A40	23	Spacer	301-448
1	Motor Housing	301-40	24	Cylinder	301-3
1A	Nameplate		25	Front Endplate	301-11
	for 301	301-301	26	Ball	301-98
	for 301-EU	301-EU-301	27	Front Rotor Bearing	301-24
3	Throttle Valve Bushing	301-503	28	Gear Pinion Set	3102-A552-1.25
5	Throttle Valve	301-302	29	Clamp Nut	301-306
6	Throttle Valve O-Ring	301-159	30	Nut	301-27
7	Spring	301-51	32	Angle Housing	301-A550
8	Regulator	301-249	33	Bearing	301-22
9	Throttle Valve O-Ring	301-251	34	Collet Bearing	301-24
10	Valve Cap O-Ring	301-206	35	Cap	301-531
11	Valve Cap	301-266	36	Arbor Kit	301-K591A
12	Lever Assembly	301-A400	37	Collet	
15	Lever Pin	301-120		for 301 (1/4")	301-700
18	Rear Rotor Bearing	301-22	*	for 301-EU (6 mm)	301-700B
19	Rear End Plate	301-12	38	Collet Nut	301-699
20	Ball	301-98	39	Wrench Kit	301-69

\* Note: All EU models are supplied with 6 mm Collet, assembled with the tool. However another 1/4" collet, part number 301-700 is given as an accessory packed separately in the box.

## 307A and 307A-EU Air Die Grinder Exploded Diagram



(Dwg. TPB1002-3)

### 307A and 307A-EU Air Die Grinder Parts List

Item	Part Description	Part Number	Item	Part Description	Part Number
	Motor Housing Assembly		17	Rear End Plate	301-12
	for 307A	307A-40	18	Ball	301-98
	for 307A-EU	307A-EU-40	19	Vaness (set of 4)	301-42-4
1	Motor Housing	301-40	20	Spacer	301-448
1A	Nameplate		21	Cylinder	301-3
	for 307A	307A-301	22	Rotor	301-53
	for 307A-EU	307A-EU-301	23	Ball	301-98
2	Valve Cap	301-266	24	Front End Plate	307A-11
3	Valve Screw O-Ring	301-206	25	Front Rotor Bearing	301-24
4	Regulator O-Ring	301-251	26	Collet Body	307A-214
5	Air Regulator	301-249	27	Muffler	307A-311
6	Valve Spring	301-51	28	Lock Nut	307A-27
7	O-Ring	301-159	29	Housing Cap	307A-699
8	Throttle Valve	301-302	30	Collet	
9	Throttle Valve Bushing	301-503		for 307A (1/4")	301-700
14	Lever Pin	301-120	*	for 307-EU (6 mm)	301-700B
15	Lever Assembly	301A-400	31	Collet Nut	301-699
16	Rear Rotor Bearing	301-22	32	Wrench Kit	301-69

\* Note: All EU models are supplied with 6 mm Collet, assembled with the tool. However another 1/4" collet, part number 301-700 is given as an accessory packed separately in the box.

### Parts and Maintenance

When the life of the tool has expired, it is recommended that the tool be disassembled, degreased and parts be separated by material so that they can be recycled.

Tool repair and maintenance should only be carried out by an authorized Service Center.

Refer all communications to the nearest **Ingersoll Rand** Office or Distributor.

### Related Documentation

For additional information refer to:

Air Die Grinder Product Safety Information Manual 04580288.

Air Die Grinder Product Information Manual 16573487.

Manuals can be downloaded from [www.irtools.com](http://www.irtools.com).



[www.irtools.com](http://www.irtools.com)  
© 2008 **Ingersoll Rand** Company

**16573495**  
Edition 6  
June 2008