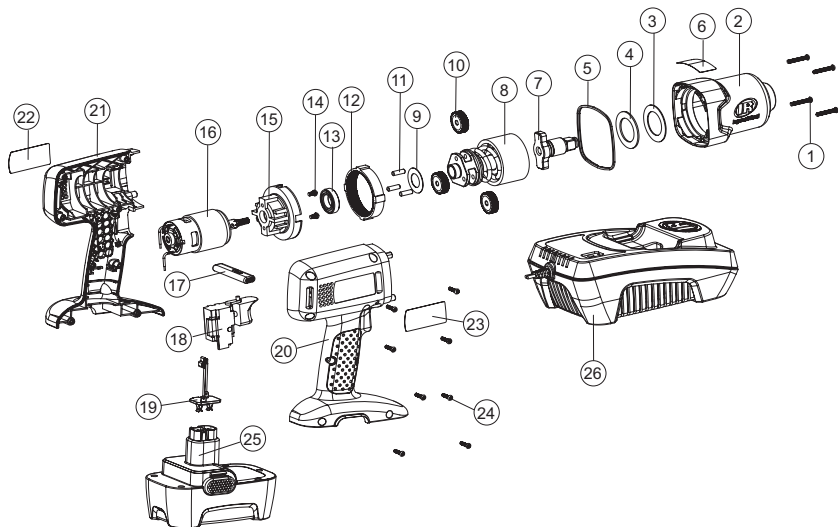


## 2530 Cordless Impact Wrench Exploded Diagram



(Dwg. 16586174)

## 2530 Cordless Impact Wrench Parts List

Item	Part Description	Part Number	Item	Part Description	Part Number
*	Hammer Case Kit	2530-K727	18	Trigger Assembly	2530-A93
1	Screw, Hammer Case (4 required)	---	19	Battery Connector Assembly	2530-A56
2	Hammer Case Assembly	---	*	Housing Kit	2530-K40
3	Washer, Rubber	---	20	Right Housing	---
4	Washer, Steel	---	21	Left Housing	---
5	Hammer Case Gasket	---	22	Nameplate	---
6	Warning Label	---	23	Information Label	---
7	Anvil Assembly	2530-A626	24	Screw, Housing (8 required)	---
8	Impact Mechanism Assembly	2530-A724	25	19.2 V Battery Pack	2509K
*	Planetary Gear Kit	2530-K37	26	Charger	2507K
9	Washer	---	*	Fastener Kit	2530-K638
10	Planet Gear (3 required)	---	1	Screw, Hammer Case (4 required)	---
11	Pin (3 required)	---	24	Screw, Housing (8 required)	---
12	Ring Gear	---	*	Label Kit	2530-K99
13	Bearing, Gear Carrier	---	6	Warning Label	---
14	Screw, Gear Case (2 required)	---	22	Nameplate	---
15	Gear Case	---	23	Information Label	---
16	Electric Motor Assembly	2530-A54			
17	Forward/Reverse Actuator	2530-75			

\* Not Illustrated.

## Parts and Maintenance

When the life of the tool has expired, it is recommended that the tool be disassembled, degreased and parts be separated by material so that they can be recycled.

Tool repair and maintenance should only be carried out by an authorized Service Center.

Refer all communications to the nearest **Ingersoll-Rand** Office or Distributor.

## Related Documentation

For additional information refer to:

Cordless Impact Wrench Safety Information Manual 04581146, Cordless Impact Wrench Product Information Manual 10567527.

Manuals can be downloaded from [www.irttools.com](http://www.irttools.com).