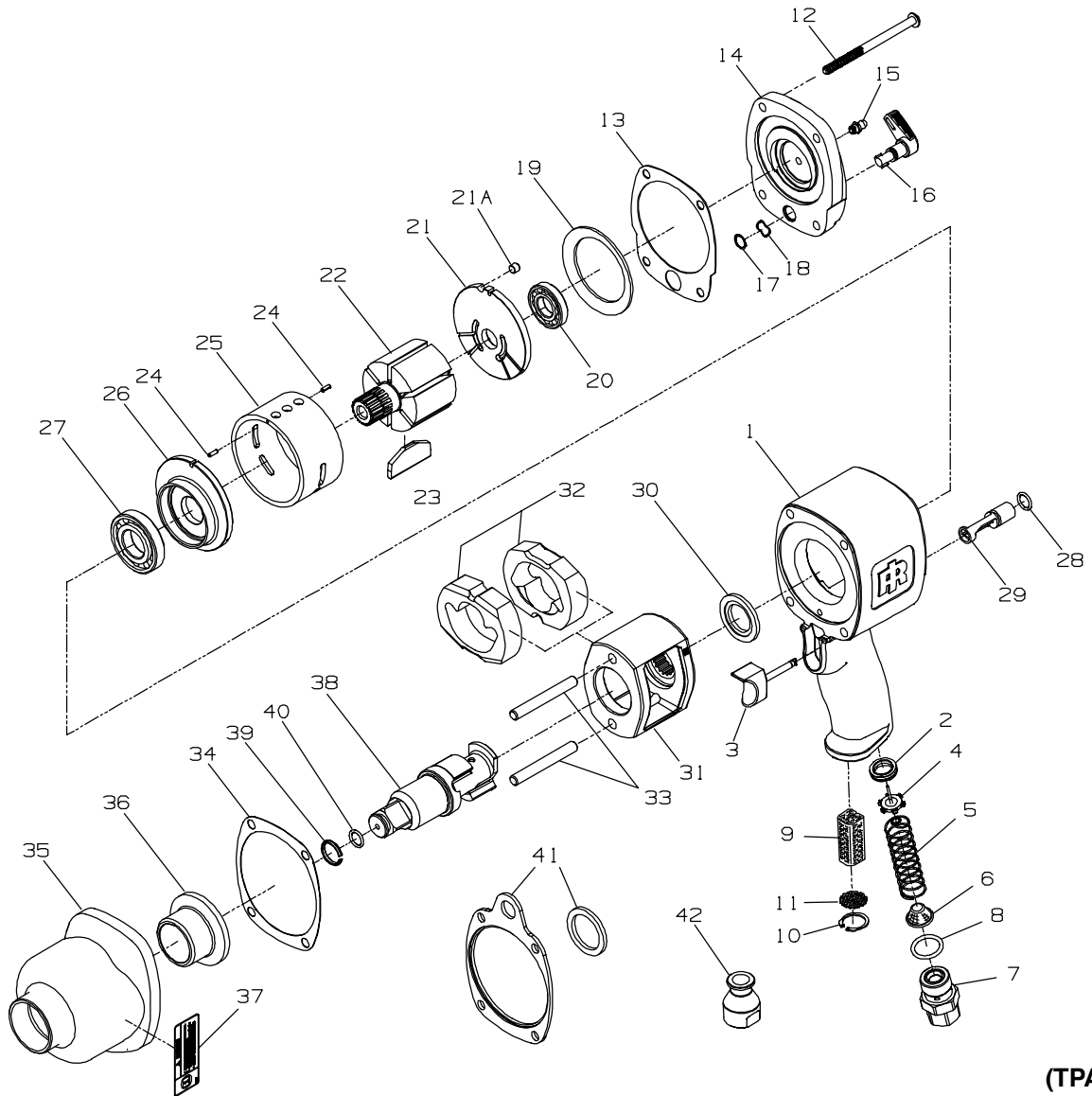


MAINTENANCE INSTRUCTIONS
SECTION D'ENTRETIEN
WARTUNG
SEZIONE DI MANUTENZIONE
INSTRUCCIONES DE MANTENIMIENTO
ONDERHOUD



(TPA1750)

PRO
TECH

Professional Technologies Sweden AB
Munkerödsvägen 3
444 32 STENUNGSUND
Tel 0303-89 135 - www.protech.nu



PART NUMBER FOR ORDERING
 REFERENCE POUR COMMANDE DE LA PIECE
 BESTELNUMBER
 NUMERO DEL PEZZO PER L'ORDINAZIONE
 SIMBOLO DE LA PIEZA PARA PEDIDOS
 BESTELNUMMERS

1	Motor Housing Assembly	2161-A40	•28	Reverse Valve O-ring	023446
	Motor Housing	2161-B40	29	Reverse Valve	2161-329
2	Throttle Valve Seat	DG230-303	30	Hammer Frame Washer	2161-706
3	Trigger Assembly	2161-A93	31	Hammer Frame	2910-703A
4	Throttle Valve	2921-302	32	Hammer (2)	2925-724
5	Throttle Valve Spring	2161-51	33	Hammer Pin (2)	2910-704
6	Air Strainer Screen	834-61	•34	Hammer Case Gasket	2161-36
7	Inlet Bushing Assembly	2161-A465	35	Hammer Case Assembly	2161-A727
8	Inlet Bushing O-ring	AF120-290	36	Hammer Case Bushing	2161-641
9	Muffler Element	202-311	37	Warning Label	WARNING-2-99
10	Retaining Ring	2161-118	38	Anvil	
11	Exhaust Deflector	2161-23		3/4" (for 2161XP)	2161XP-626
12	Backcap Bolt (4)	2161-638		3/4" extended (for	
•13	Backcap Gasket	2161-739		2161XP-6)	2161XP-6-626
	Backcap Assembly	2161-A102		1" (for 2171XP)	2080-726
14	Backcap	2161-102	39	Socket Retainer	
15	Grease Fitting	R1-188		3/4" (for 2161XP) and	
16	Reverse Lever	2161-658		3/4" extended (for	
17	Reverse Lever Snap Ring	2161-28		2161XP-6)	908B5-918
18	Reverse Lever Spring	2161-278		1" (for 2171XP)	910E5-918
19	Motor Clamp Washer	2161-207	40	Socket Retainer O-ring	
20	Rear Rotor Bearing	4E-510		3/4" (for 2161XP) and	
21	Rear End Plate	2161-12		3/4" extended (for	
21A	Locating Pin	2920-74		2161XP-6)	AF120-289
22	Rotor	2161XP-53		1" (for 2171XP)	R4-210
•23	Vane Packet (set of 6 Vanes)	2910-42-6	41	Hanger Kit	2161-366
24	Cylinder Dowel (2)	JC3350-538	42	Piped-Away Exhaust	2161-123
25	Cylinder	2161-3			
26	Front End Plate	2161-11			
27	Front Rotor Bearing	834-24			

- To keep downtime to a minimum, it is desirable to have on hand certain repair parts. We recommend that you stock one (pair or set) of each part indicated by a bullet (•) for every four tools in service.