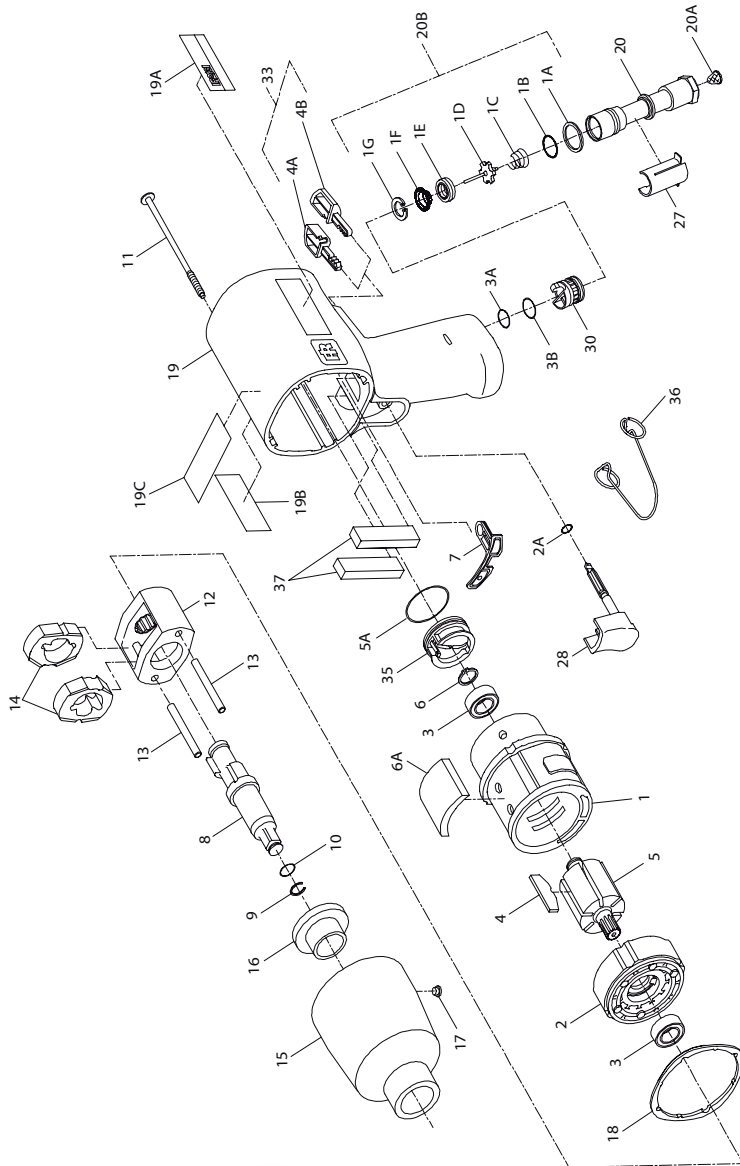


2131 Series Air Impact Wrench Exploded Diagram



(Dwg. TPA1854)

**PRO
TECH**

Professional Technologies Sweden AB
 Munkerödsvägen 3
 444 32 STENUNGSUND
 Tel 0303-89 135 - www.protech.nu



04584025
 Edition 3
 June 2007

2131 Series Air Impact Wrench Parts List

Item	Part Description	Part Number	Item	Part Description	Part Number
1	Cylinder	2131-3A	19B	Housing Label	
2	Front End Plate	2131-11		for 2131A, 2131AS, 2131AS-2, 2131QT & 2131QT-2	2131-300
3	Rotor Bearing (2)	2131-97		for 2131PSP	2131PSP-300
• 4	Vane Packet (set of 6 Vanes) (yellow)	2131-42A-6	19C	Warning Label (for all models)	WARNING-2-99
5	Rotor	2131-53	20	Inlet Bushing Assembly	2131-565
6	Rear Rotor Bearing Retainer	2131-6	20A	Inlet Bushing Screen	5RA-61
6A	Silencer		20B	Inlet Parts Kit	2131-K303
	for 2131AS, 2131AS-2 & 2131PSP	2131S-311	1A	Washer	---
	for 2131QT, 2131QT-2	2131QT-311	1B	Inlet Bushing Seal	---
• 7	Motor Gasket	2131-283	1C	Tilt Valve Spring	---
8	Anvil Assembly (1/2" square drive)		1D	Tilt Valve	---
	for 2131A (standard length)	231B-A626	1E	Tilt Valve Seat	---
	for 2131PSP	231B-A726	1F	Tilt Valve Seat Support	---
• 9	Socket Retainer		1G	Tilt Valve Seat Retainer	---
	for 2131A (standard length)	231-425A	27	Inlet Retainer Clip	2131-57
	for 2131PSP	804-716	• 28	Trigger Assembly	2131-A93
• 10	Socket Retainer O-ring		2A	Trigger O-ring	---
	for 2131A (standard length)	R1A-159	30	Reverse Valve Assembly	2131-A329
	Spring		3A	Reverse Valve O-ring (top)	---
	for 2131PSP	5UHD-718	3B	Reverse Valve O-ring (bottom) (blue)	---
11	Hammer Case Screw (4)	2131-638	33	Button Kit	
	Hammer Frame Assembly	2131-A703		for 2131A, 2131AS & 2131AS-2 & 2131PSP	2131-K75
12	Hammer Frame	2131-703		for 2131QT, 2131QT-2	SN2131-K75
13	Hammer Pin (2)	2131-704	4A	Forward Button	---
14	Hammer (2)	231XP-724	4B	Reverse Button	---
15	Hammer Case Assembly		35	Power Management Assembly	2131-A249
	for 2131A, 2131AS, 2131AS-2, 2131QT & 2131QT-2	2131A-A727	5A	Power Management Dial Seal	---
	for 2131PSP	2131PSP-D727	36	Inlet Clip Removal Tool	2131-322
16	Hammer Case Bushing		37	Silencer (2) (2131AS, 2131AS-2 & 2131PSP)	2131S-310
	for 2131A, 2131AS, 2131AS-2, 2131QT & 2131QT-2	2131A-941	*	ATEX Label for 2131PSP	ATEX-IMPACTOOL-99
	for 2131PSP	2131SP-941	*	Grease (1 lb) (for external lubrication of the impact mechanism)	115-1LB
17	Hammer Case Grease Fitting	DOF9-879	*	Grease (for lubrication when disassembling and assembling the impact mechanism)	
• 18	Hammer Case Gasket	2131-36		1 lb	105-1LB
19	Housing Assembly			8 lb	105-8LB
	for 2131A, 2131AS & 2131AS-2	2131A-D40	*	Protective Cover	2131-P32
	for 2131QT, 2131QT-2	2131QT-D40	*	Grease Gun	R000A2-228
	for 2131PSP	2131PSP-A40	*	Grip (2131QT, 2131QT-2)	231H-P32H-Grip
19A	Nameplate				
	for 2131A, 2131AS & 2131AS-2	2131A-301			
	for 2131QT, 2131QT-2	2131QT-301			
	for 2131PSP	2131PSP-301			

* Not illustrated.

- To keep downtime to a minimum, it is desirable to have on hand certain repair parts. We recommend that you stock one (pair or set) of each part indicated by a Bullet (•) for every four tools in service.

Parts and Maintenance

When the life of the tool has expired, it is recommended that the tool be disassembled, degreased and parts be separated by material so that they can be recycled.

Tool repair and maintenance should only be carried out by an authorized Service Center.

Refer all communications to the nearest **Ingersoll Rand** Office or Distributor.

Related Documentation

For additional information refer to:

Air Impact Wrench Product Safety Information Manual Form 04580916.

Air Impact Wrench Product Information Manual Form 04584686.

Air Impact Wrench Maintenance Information Manual Form 04584017.

Manuals can be downloaded from www.irtools.com.



www.irtools.com

© 2007 **Ingersoll Rand** Company

04584025

Edition 3

June 2007