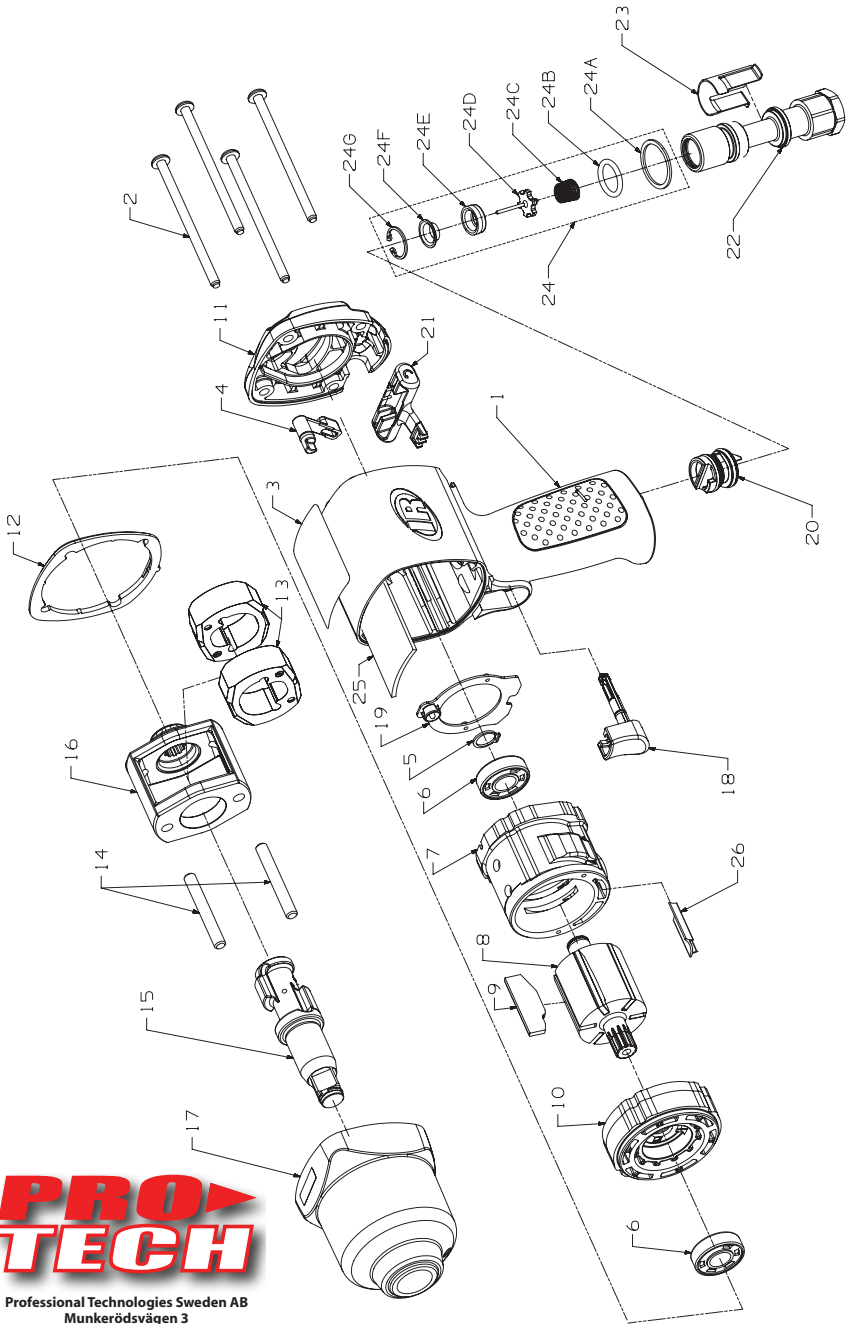


2130XP Air Impact Wrench Exploded Diagram



**PRO
TECH**

Professional Technologies Sweden AB
Munkerödsvägen 3
(Dwg. TP2189XP)444 32 STENUNGSUND
Tel 0303-89 135 - www.protech.nu

IR Ingersoll-Rand

www.irttools.com

© 2004 Ingersoll-Rand Company

Form 04584645

Edition 1
October 2004

2130XP Air Impact Wrench Parts List

| Item | Part Description | Part Number | Item | Part Description | Part Number |
|------|---------------------------------|-------------|------|---|-------------|
| * | Housing Assembly | 2130XP-A40 | 20 | Reverse Valve Assembly | 2130-D329 |
| 1 | Housing | --- | 21 | Reverse Button | 2130-75 |
| 3 | Nameplate/Warning Label | --- | * | Inlet Bushing Assy (Includes 22, 23 & 24) | 2131-D565 |
| 2 | Screw, Hammer Case (4 required) | 2130-638 | 22 | Inlet Bushing | 2131-565 |
| 3 | Nameplate/Warning Label | 2130XP-301 | 23 | Inlet Clip | 2131-57 |
| 4 | Power Regulator Assy | 2130-D249 | 24 | Inlet Parts Kit | 2131-K303 |
| 5 | Retaining Ring | 2131-6 | 24A | Washer | --- |
| 6 | Ball Bearing (2 required) | 402-22 | 24B | O-Ring, Seal | --- |
| 7 | Cylinder | 2130-3 | 24C | Spring | --- |
| 8 | Rotor | 2131-53 | 24D | Valve | --- |
| 9 | Vane Pack (set of 6) | 2131-42A-6 | 24E | Seat | --- |
| 10 | End Plate | 2131-11 | 24F | Support | --- |
| 11 | Rear Cap | 2130-12 | 24G | Retainer | --- |
| 12 | Hammer Case Gasket | 2130-36 | 25 | Muffler Felt | 2130QT-311 |
| * | Impact Mechanism Kit (2130XP) | 2130-IMK1 | 26 | Inlet Baffle | 2130-318 |
| * | Impact Mechanism Kit (2130XP-2) | 2130-IMK2 | * | Tune-Up Kit | 2130-TK1 |
| 12 | Hammer Case Gasket | --- | 5 | Retaining Ring | --- |
| 13 | Hammer (2) | --- | 6 | Ball Bearing (2) | --- |
| 14 | Hammer Pin (2) | --- | 9 | Vane Pack (set of 6) | --- |
| 15 | Anvil Assembly | --- | 12 | Hammer Case Gasket | --- |
| 16 | Hammer Frame | --- | 18 | Trigger Assy | --- |
| * | Kit Grease | --- | 19 | Motor Gasket | --- |
| 17 | Hammer Case Assy | 2130-D727A | 20 | Reverse Valve Assy | --- |
| 18 | Trigger Assy | 2130-D1093 | 24 | Inlet Parts Kit | --- |
| 19 | Motor Gasket | 2130-283 | * | Inlet Clip Removal Tool | 2131-322 |

* Not Illustrated

Parts and Maintenance

When the life of the tool has expired, it is recommended that the tool be disassembled, degreased and parts be separated by material so that they can be recycled.

Tool repair and maintenance should only be carried out by an authorized Service Center.
Refer all communications to the nearest **Ingersoll-Rand** Office or Distributor.

Related Documentation

For additional information refer to:
Air Impactool Product Safety Information Manual 04580916,
Air Impactool Product Information Manual 04584876.

Manuals can be downloaded from www.irtools.com.