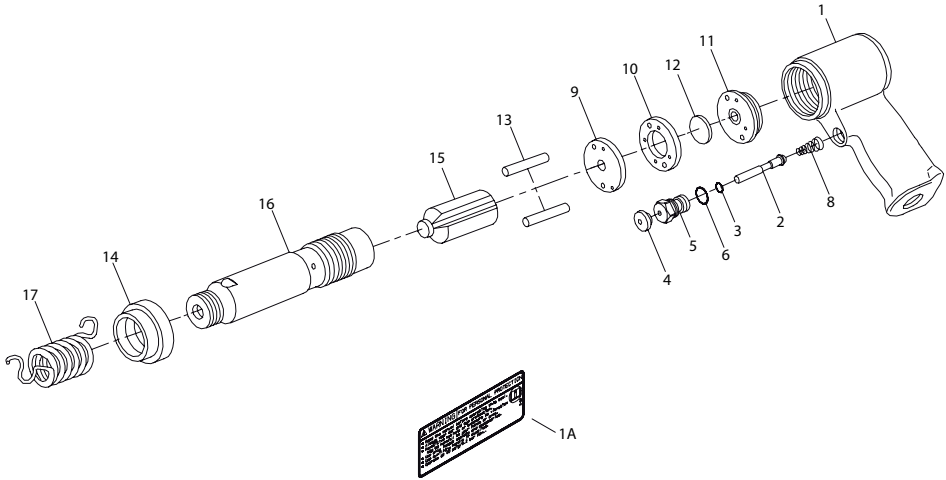


Model 121 and 121-EU Air Percussive Hammer Exploded Diagram



(Dwg. TPC507)

Model 121 and 121-EU Air Percussive Hammer Parts List

Item	Part Description	Part Number	Item	Part Description	Part Number
1	Offset Handle Assembly		9	Valve Seat	MC121-3
	for 121	NMC10B-A59	10	Valve Spacer	MC121-8
	for 121-EU	NMC10B-EU-A59	11	Valve Cap	MC121-4
1A	Warning Label		12	Valve	MC121-2
	for 121	WARNING-6-99	13	Dowel Pin (2)	MC121-32
	for 121-EU	7801-EU-99	14	Exhaust Deflector	AV11-85
	Throttle Valve Assembly	MC10B-A302	15	Piston	MC121-5
2	Throttle Valve	MC121-302	16	Barrel	NMC121-6
3	Throttle Valve Face	R00B1-159	17	Quick-Change Tool Retainer	AVC10-183A
4	Throttle Valve Button	R00AR2C-305A			
5	Throttle Valve Bushing Assembly	MC10B-A503			
6	Throttle Valve Bushing Seal	R000BR-210			
8	Throttle Valve Spring	508-51			

PRO TECH

Professional Technologies Sweden AB
Munkerödsvägen 3
444 32 STENUNGSUND
Tel 0303-89 135 - www.protech.nu

Parts and Maintenance

When the life of the tool has expired, it is recommended that the tool be disassembled, degreased and parts be separated by material so that they can be recycled.

Tool repair and maintenance should only be carried out by an authorized Service Center.

Refer all communications to the nearest **Ingersoll Rand** Office or Distributor.

Related Documentation

For additional information refer to:

Product Safety Information Manual 04581450.

Product Information Manual 16574170.

Manuals can be downloaded from www.irtools.com.