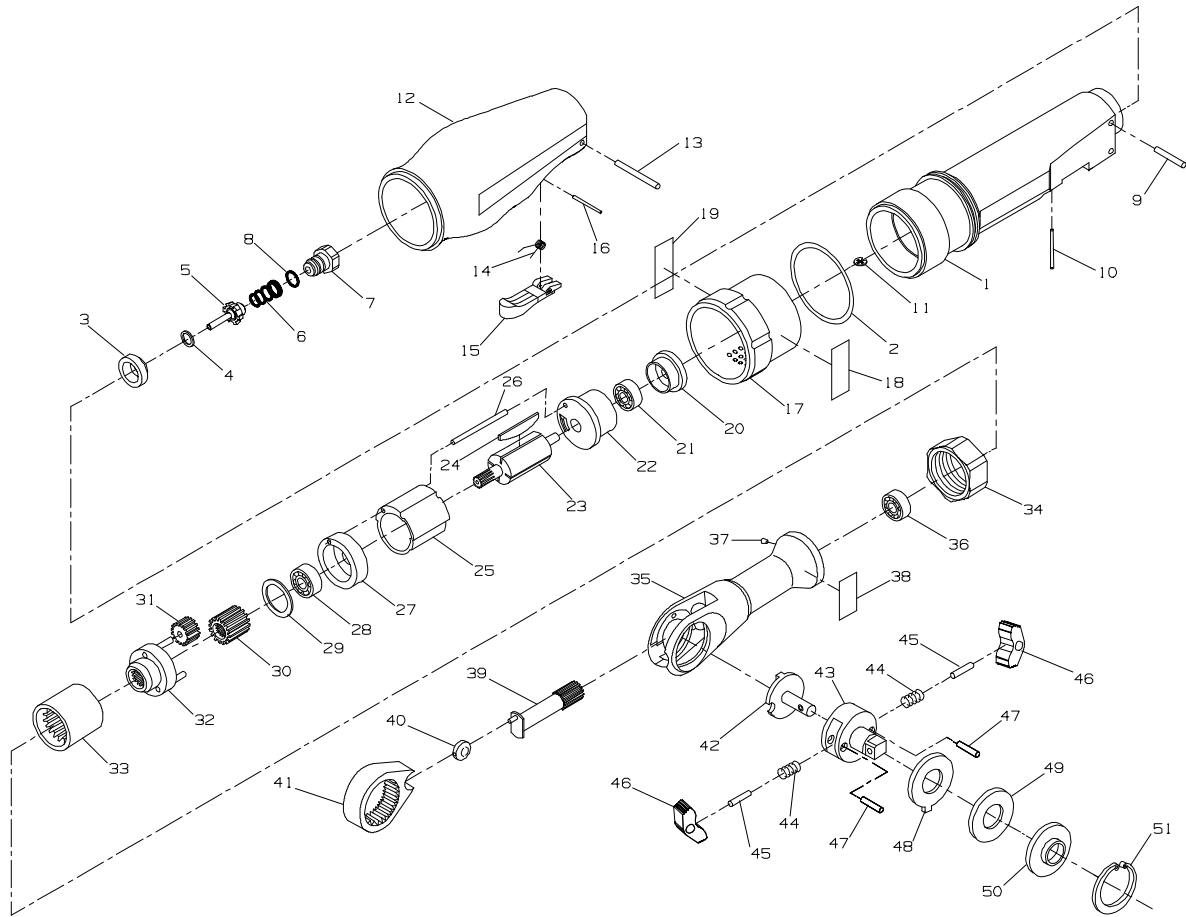


**VEDLIGEHOLDELSESVEJLEDNING
SKÖTSELRÅD
VEDLIKEHOLDSINSTRUKSJONER
HUOLTO-OHJEET
INSTRUÇÕES DE MANUTENÇÃO
ΟΔΗΓΙΕΣ ΣΥΝΤΗΡΗΣΕΩΣ**



(TPA1829)



↓

BESTILLINGSNUMMER
BESTÄLLINGSNUMMER
BESTILLINGSNUMMER
OSANUMERO TILAUSTA VARTEN
NÚMERO DA PEÇA PARA ENCOMENDAS
ΑΡΙΘΜΟΙ ΠΑΡΑΤΕΛΙΑΣ ΕΞΑΡΤΗΜΑΤΩΝ

↓

	Housing Assembly	1107-A40	25	Cylinder	1107-3
1	Aluminum Inner Housing	1107-40	26	Cylinder Dowel	1107-98
2	O-ring	1107-367	27	Front End Plate	1107-11
3	Valve Seat	1107-710	28	Ball Bearing	1107-97
4	Valve Seat O-ring	1107-303	29	Spacer	1107-16
5	Throttle Valve Stem	1107-50	30	Inner Gear	1107-979
6	Throttle Valve Spring	1107-338	31	Spindle Planet Gear (3)	1107-9
7	Inlet Assembly	1107-A565	32	Spindle Assembly	1107-A8
8	Swivel Inlet O-ring	7802R-14	33	Internal Gear	1107-406
9	Swivel Inlet Retaining Pin (short) .	1107-553	34	Coupling Nut	1107-27
10	Trigger Pin	1107-302	35	Ratchet Housing Assembly	1107-A322
11	Trigger Pin Retaining Ring	1107-314	36	Crankshaft Needle Bearing	107-32
12	Composite Outer Housing	1107-300	37	Grease Fitting	D0F9-879
13	Swivel Inlet Retaining Pin (long) .	1107-554	38	Warning Label	1107-99
14	Trigger Spring	1107-405	39	Crankshaft	1107-35
15	Trigger Assembly	1107-A93	40	Drive Bushing	109-36
16	Trigger Retaining Pin	1107-504	41	Ratchet Yoke	109XP-37
	Exhaust Deflector Assembly		42	Reverse Button	1107-38
	for 1107	1107-A123	43	Ratchet Anvil Assembly	
	for 1177	1177-A123		for 1107 (3/8" sq. dr.)	109XP-44
17	Exhaust Deflector	1107-123		for 1177 (1/2" sq. dr.)	1099XP-44
18	Nameplate		44	Lock Spring with Precision Damper (2)	109XP-A41
	for 1107	1107-301	45	Ratchet Lock Pin (2)	1107-49
	for 1177	1177-301	46	Ratchet Pawl (2)	109XP-43
19	Label	1107-301A	47	Pawl Retaining Pin (2)	1107-178
20	End Cap	107-624	48	Spacer	109XP-47
21	Ball Bearing	107-24	49	Friction Washer	109-45
22	Rear End Plate	1107-12	50	Thrust Washer	109-46
23	Rotor	1107-53	51	Retaining Ring	107-426
24	Vane Packet (set of 4 Vanes)	1107-42-4			